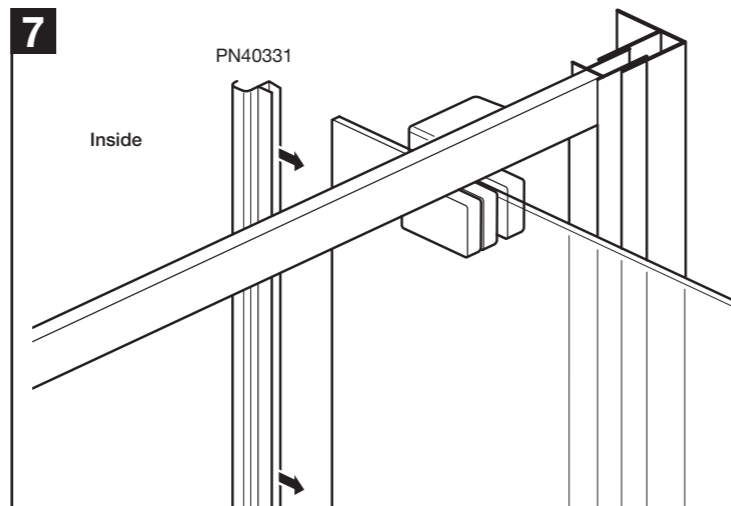
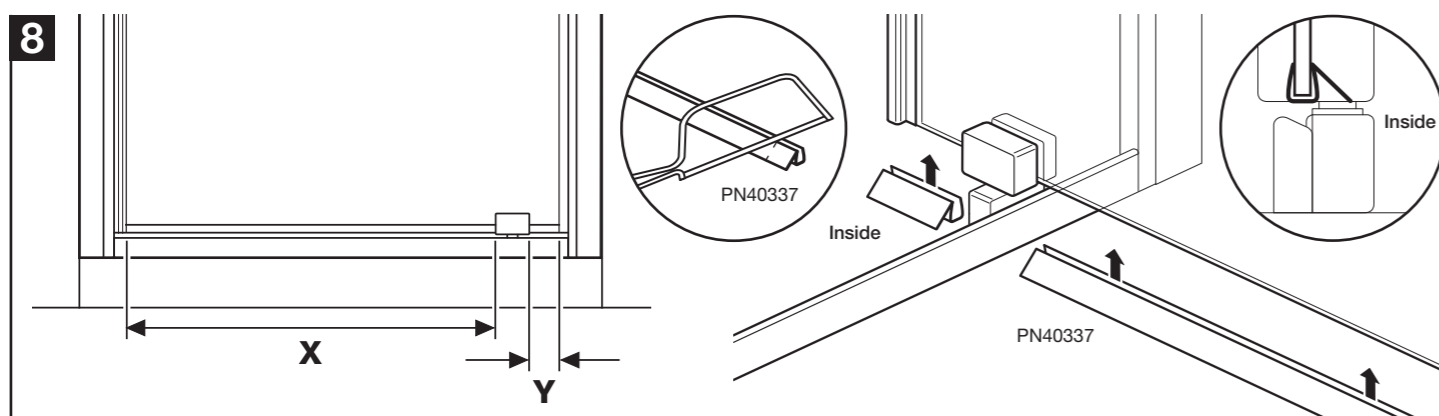


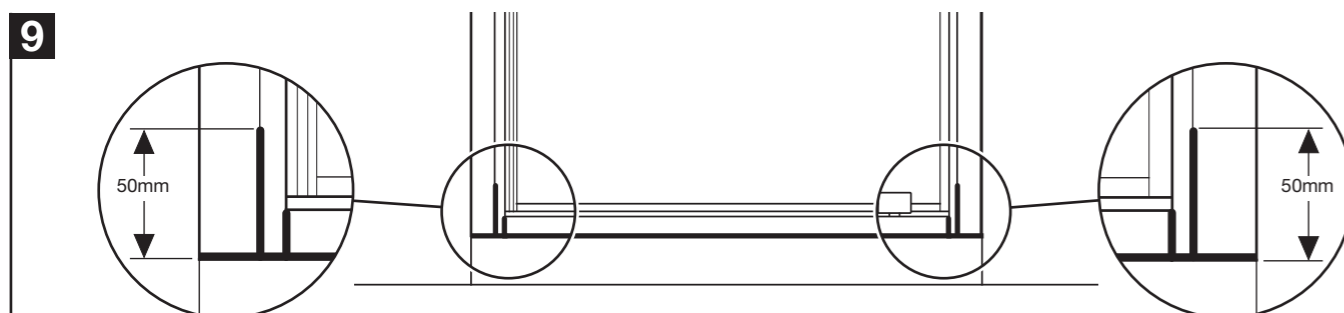
Push fit all 6 cover caps (PN50485) onto the pivot blocks at the top and bottom of the door (inside and outside).



Push fit the vertical seal (PN40331) onto the back edge of the door, the curved flap **must** be positioned as shown.
Note: Wetting the edge of the glass will help the seal fit.



Measure dimensions 'X' (from magnetic seal to pivot block) and 'Y' (from pivot block to vertical seal). Cut horizontal seal (PN40337) to the lengths measured using a hacksaw. Push fit cut seals onto the bottom of the door, the seal 'flap' **must** be on the inside. **Note:** Wetting the edge of the glass will help the seal fit.



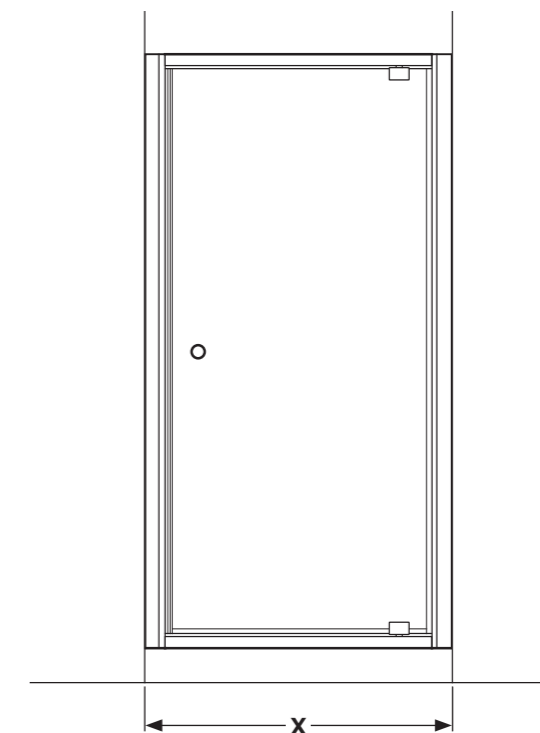
From the outside only, apply sealant to the bottom of the enclosure and 50mm up the wall channels as shown.

CARE AND MAINTENANCE

IMPORTANT: You must not use the shower for 24 hours after installation of the enclosure.

DO NOT use bleach, scouring powders, solvents or other aggressive cleaning agents. To clean, use warm soapy water and a clean cloth and rinse off.

PIVOT DOOR



DIMENSIONS

Check the enclosure size in the table below matches the showertray installation.

700 Door X = 665 - 705mm

760 Door X = 725 - 765mm

800 Door X = 765 - 805mm

900 Door X = 865 - 905mm

*Please read these instructions carefully and keep for future reference.
Incorrect fitting will invalidate the guarantee.*

SAFETY

- Handle glass with great care. Although the glass is very tough, sharp impacts can damage both the glass and metal frame.
- Make sure there are no hidden pipes or cables hidden in the wall where you intend to drill.
- Wear safety goggles, shoes and appropriate clothing.

BEFORE INSTALLATION

- Check that the shower tray is level in all directions. The enclosure will not sit correctly on an uneven surface. If uneven, the wall channels may not fit and the doors may not shut correctly.
- The shower tray and the enclosure must match in size. Attempting to fit the incorrect size of enclosure to the shower tray will result in water leaks.
- The enclosure should be fitted on tiled walls which are sealed with waterproof grout. There must be a good silicone seal between the rim of the shower tray and the wall.
- Always check very carefully that components are vertical.
- To avoid damage, use the opened out packaging to build the enclosure on.

Equipment needed:

Drill, 6.5mm Masonry Bit, 4.5mm & 3mm Metal Bits (general), Crosshead Screwdriver, Spirit Level, Pencil, Silicone Sealant, Tape Measure, Fine Tooth Hacksaw, Masking Tape.

Note: The screws and wall plugs supplied are for masonry walls. For lightweight walls i.e. stud partition, plasterboard etc, use the correct type of fixings.

CORAM SHOWERS LIMITED

Stanmore Industrial Estate, Bridgnorth, Shropshire WV15 5HP, UK • Tel: 01746 766466 • Fax: 01746 764140

www.coram.co.uk

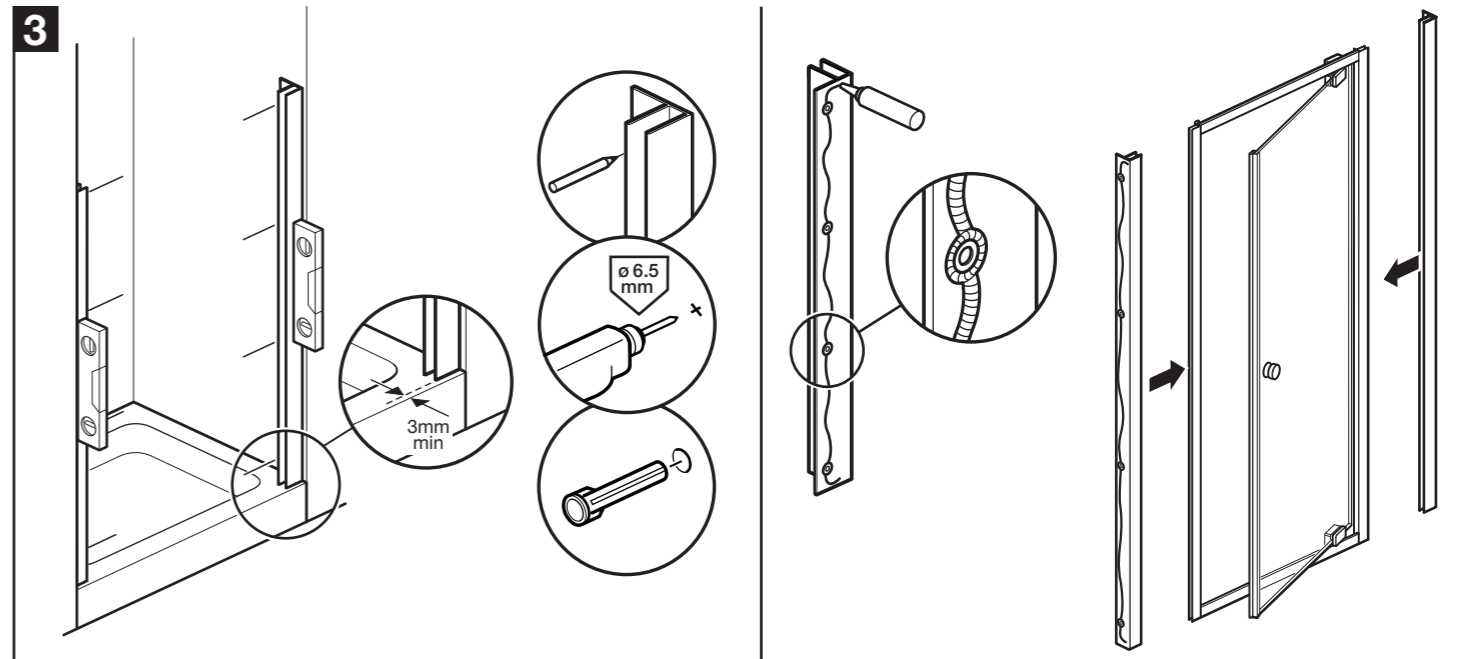
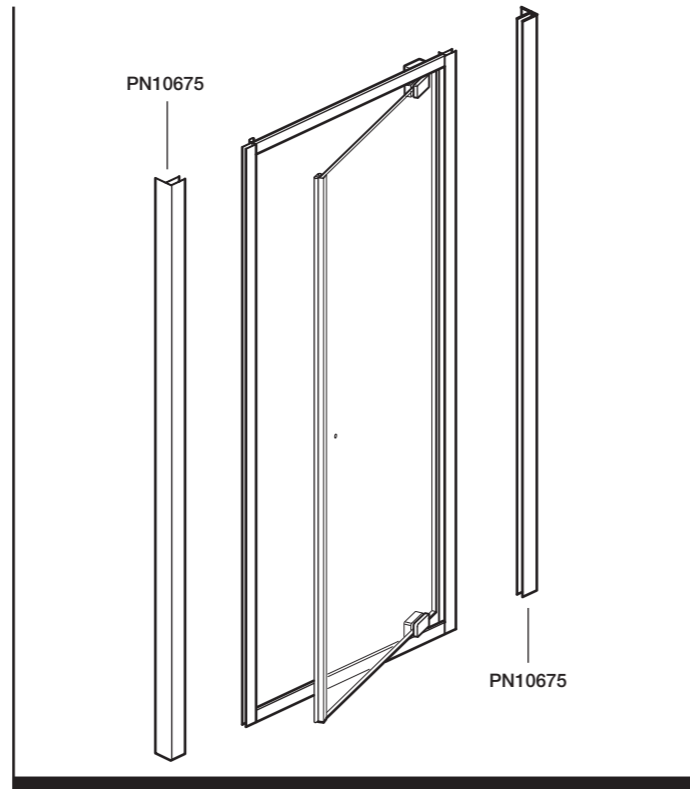
CUSTOMER CARELINE 01746 713410

Check contents of pack before installation.

If there is anything missing, contact our Customer Careline for assistance.

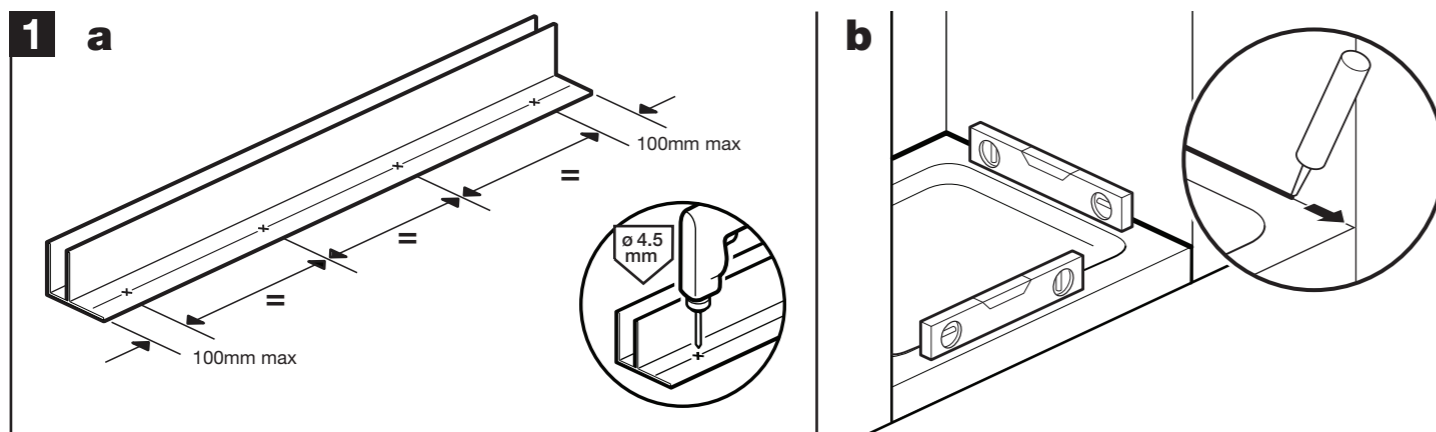
CUSTOMER CARELINE: 01746 713410

PN3230	8	PN60511	1
PN3225	8	PN50485	6
32mm PN3222	6	PN40331	1
10mm PN4748	14	PN40337	1



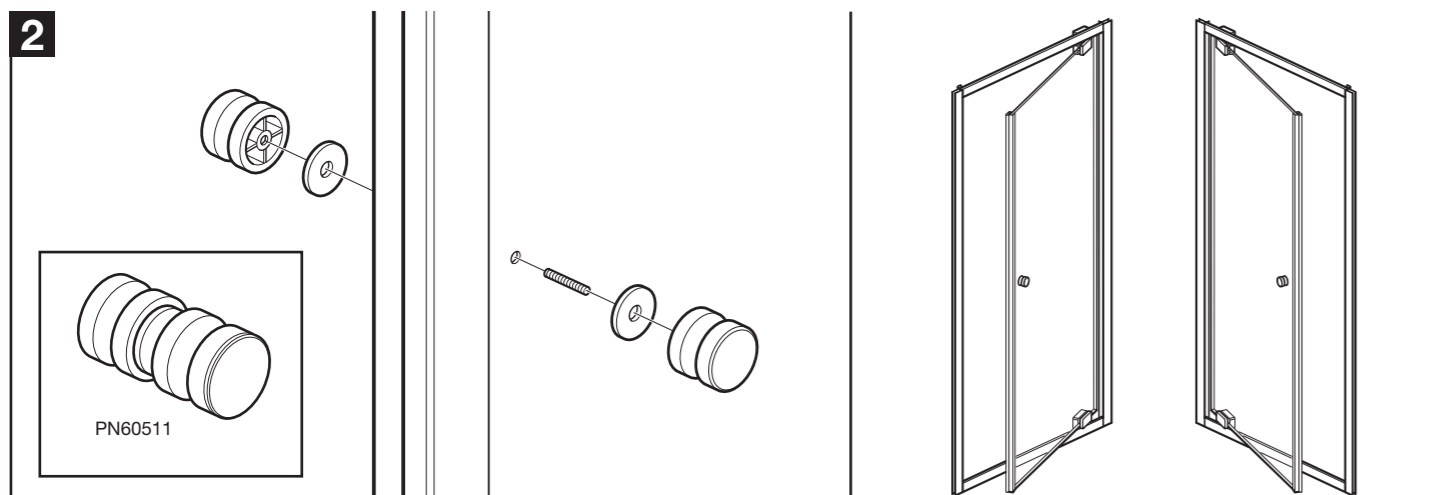
Place wall channels on tray ensuring they are vertical and a minimum of 3mm back from the front of the tray. Place masking tape against the wall before marking the drill hole positions. This will prevent the drill bit slipping. Drill 6.5mm holes, 30mm deep and insert wall plugs.

Apply sealant to back of wall channels. Place wall channels onto door.



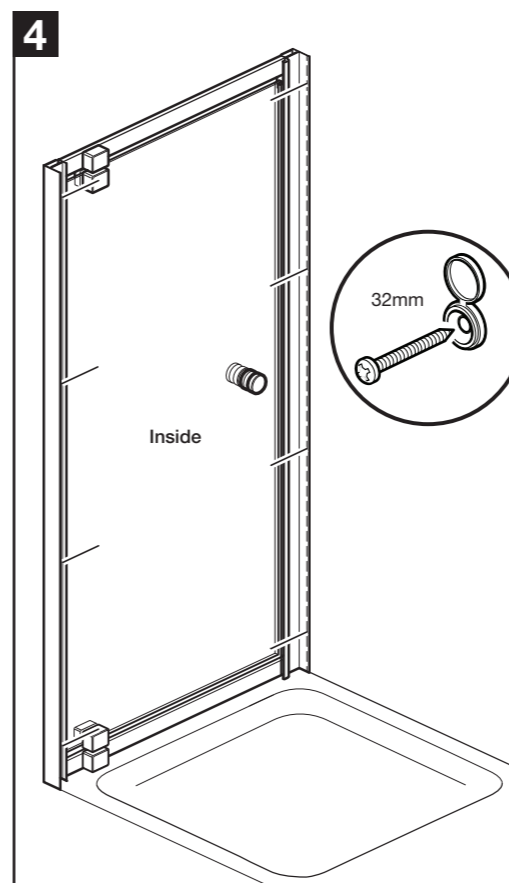
a: Drill holes in both wall channels (PN10675) at points shown using a 4.5mm drill bit, through the edge shown and in the grooves.

b: Ensure the shower tray is level in all directions. **IMPORTANT:** Clean the tray and seal the gap between the tray surface and tiles. It is important that the tray is sealed right up to the tray edge so that the bottom of the wall channel is sealed. Failure to do this will cause water to leak under the wall channel and between the tray and tiles, resulting in damp patches on the wall and under the tray.

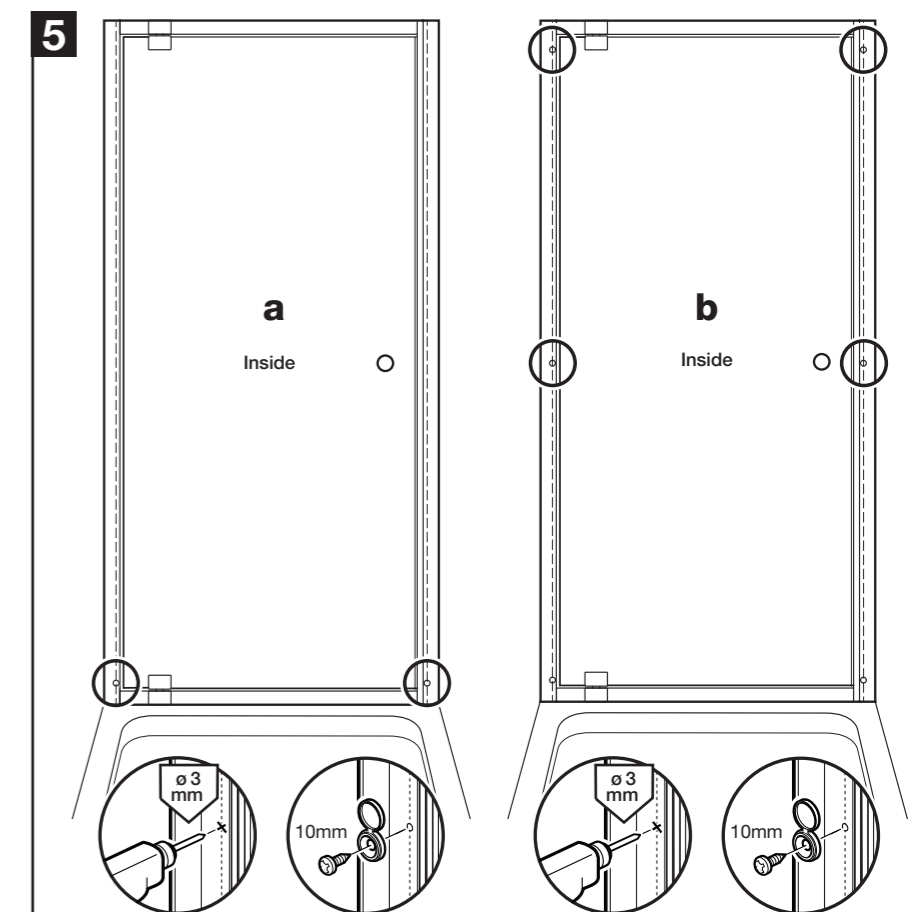


Fit the door handle to the door ensuring the plastic washers are fitted each side of the glass.

Choose the opening side for the door (turn over if necessary).



Place door in position on the tray, fix wall channels to the walls (in all 8 positions shown) using 32mm screws and screw caps.



Check door is centrally positioned, perfectly vertical and square in the frame.

a: Drill inside of wall channels using 3mm drill bit in the two lower positions shown. Fix using 10mm screws and screw caps.

b: Check door is centrally positioned, perfectly vertical and square in the frame.

Drill the next four holes in the upper positions shown inside of the wall channels using 3mm drill bit. Fix using 10mm screws and screw caps.