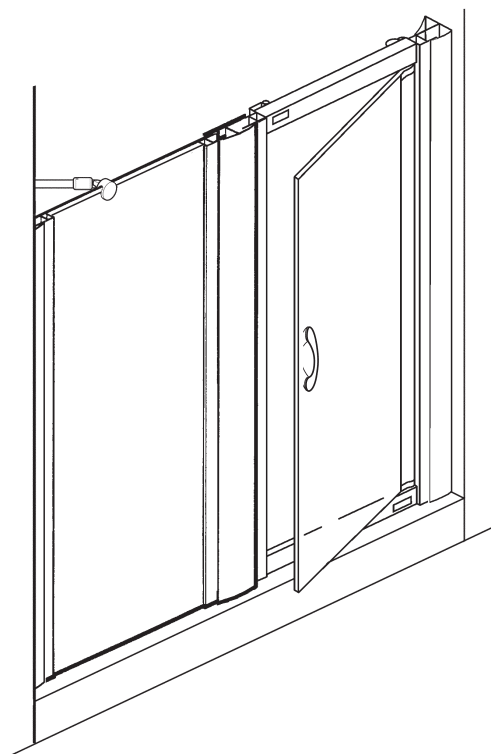


# PREMIER INLINE PANEL / JOINT PACK



***Please read these instructions carefully and keep for future reference.  
Incorrect fitting will invalidate the guarantee.***

## SAFETY

- Handle glass with great care. Although the glass is very tough, sharp impacts can damage both the glass and metal frame.
- Make sure there are no hidden pipes or cables hidden in the wall where you intend to drill.
- Wear safety goggles, shoes and appropriate clothing.

## BEFORE INSTALLATION

- Check that the shower tray is level in all directions. The enclosure will not sit correctly on an uneven surface. If uneven, the wall channels may not fit and the doors may not shut correctly.
- The enclosure should be fitted on tiled walls which are sealed with waterproof grout.
- There must be a good silicone seal between the rim of the shower tray and the wall.
- The shower tray and the enclosure must match in size. Attempting to fit the incorrect size of enclosure to the shower tray will result in water leaks.
- Always check very carefully that components are vertical.
- To avoid damage, use the opened out packaging to build the enclosure on.

### **Equipment needed:**

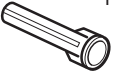




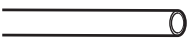



Drill, 6.5mm Masonry Bit, 4.5mm & 3mm Metal Bits (general), Crosshead Screwdriver, Flatblade Screwdriver, Spirit Level, Pencil, Tape Measure, Masking Tape, Silicone Sealant.

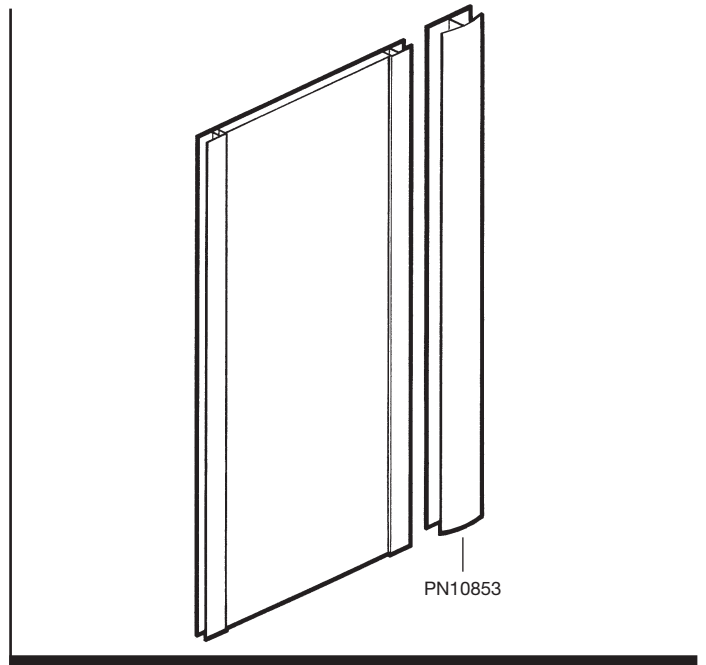
**Note:** The screws and wall plugs supplied are for masonry walls. For lightweight walls i.e. stud partition, plasterboard etc, use the correct type of fixings.

**CUSTOMER CARELINE 01746 713410**

Check contents of pack before installation. If anything is missing, contact our Customer Careline for assistance.

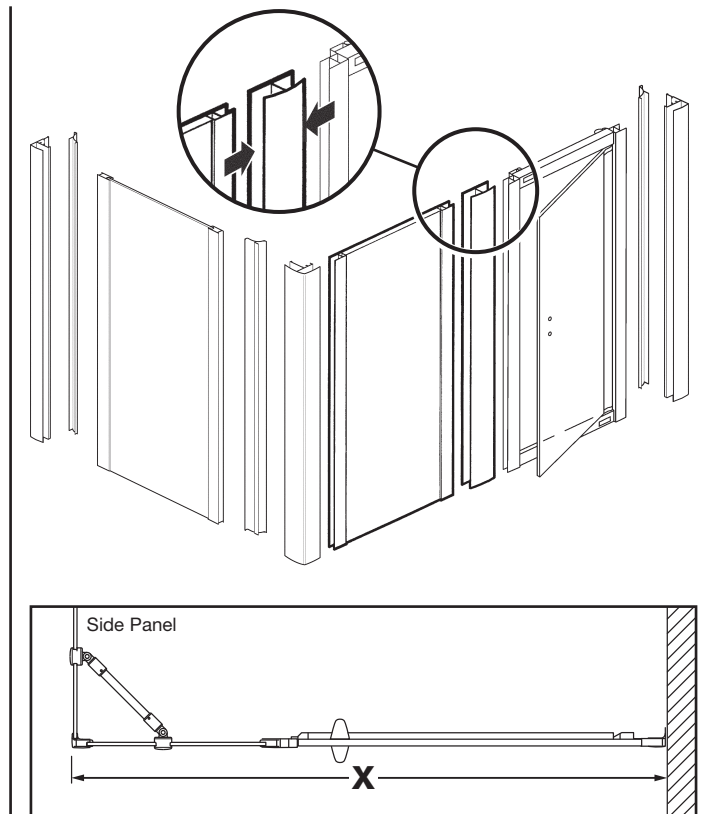
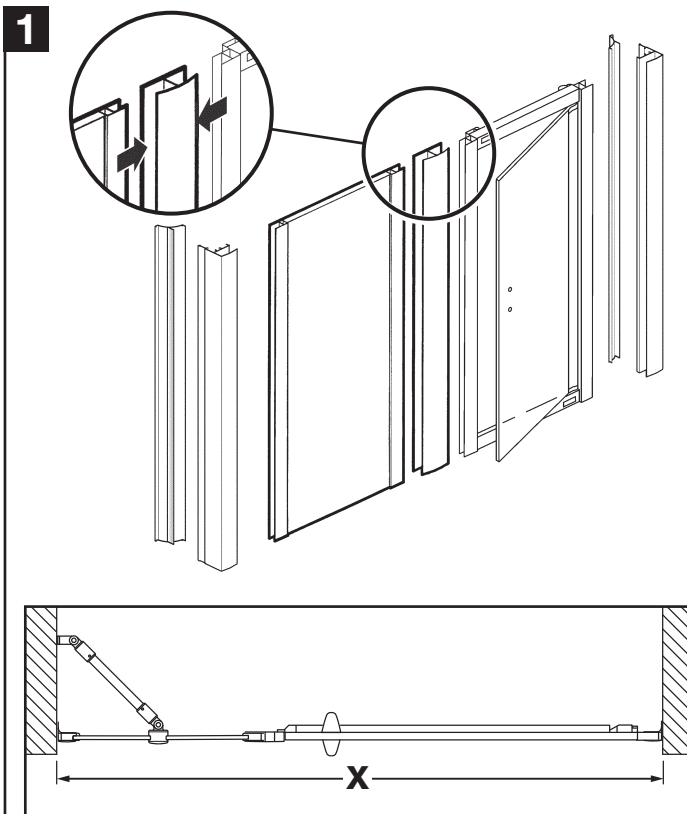
**CUSTOMER CARELINE: 01746 713410**

	PN3230	1		PN80524	1
	PN3225 32mm	1		PN80499	1
	PN3222 10mm	6		PN10937	1
	PN4748	6		PN60418	1
	PN4745	1			



**INLINE ONLY**

**INLINE WITH SIDE PANEL**



**X = Inline Panel with Door in a alcove -**

- 1000 Inline panel with 700 door = 840 - 940mm
- 1000 Inline panel with 760 door = 900 - 1000mm
- 1000 Inline panel with 800 door = 940 - 1040mm
- 1000 Inline panel with 900 door = 1040 - 1140mm

- 1200 Inline panel with 700 door = 1040 - 1140mm
- 1200 Inline panel with 760 door = 1100 - 1200mm
- 1200 Inline panel with 800 door = 1140 - 1240mm
- 1200 Inline panel with 900 door = 1240 - 1340mm

- 1400 Inline panel with 700 door = 1240 - 1340mm
- 1400 Inline panel with 760 door = 1300 - 1400mm
- 1400 Inline panel with 800 door = 1340 - 1440mm
- 1400 Inline panel with 900 door = 1440 - 1540mm

**X = Inline Panel with Door and Side Panel -**

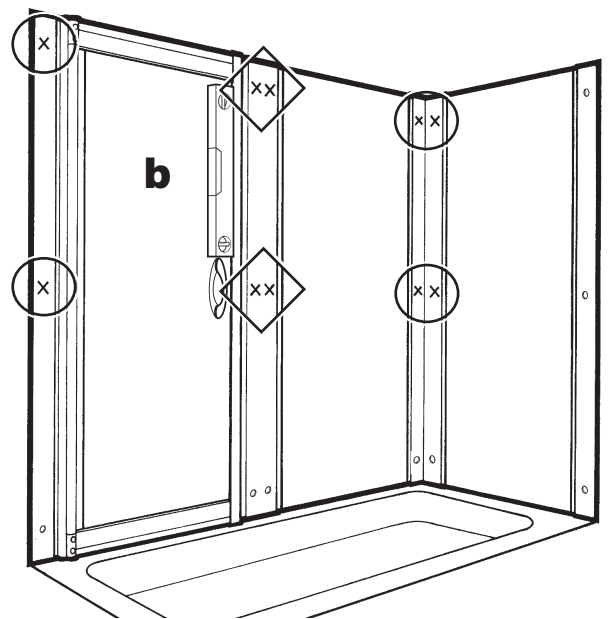
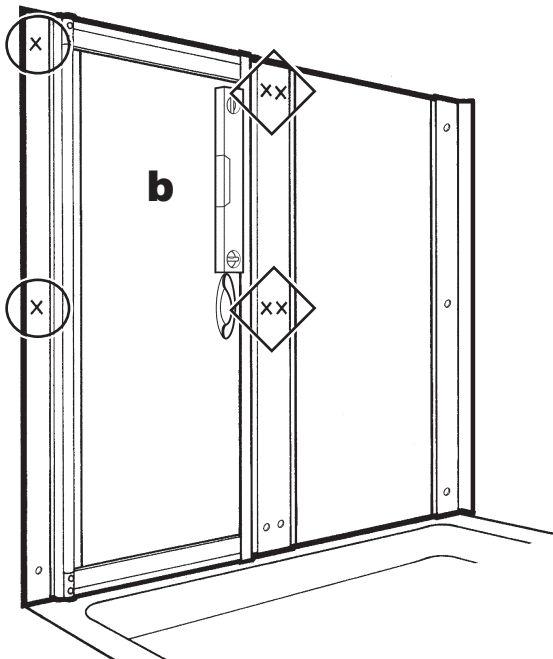
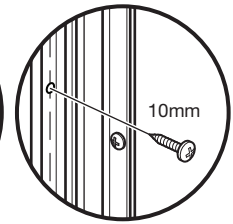
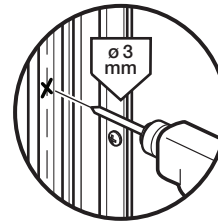
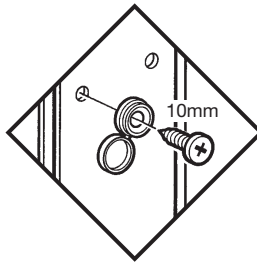
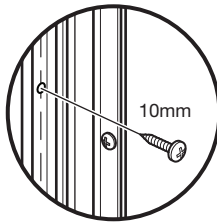
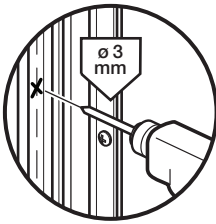
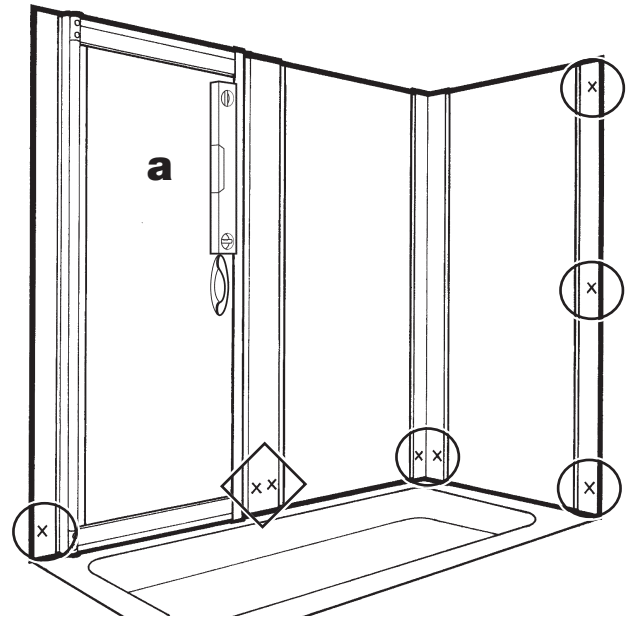
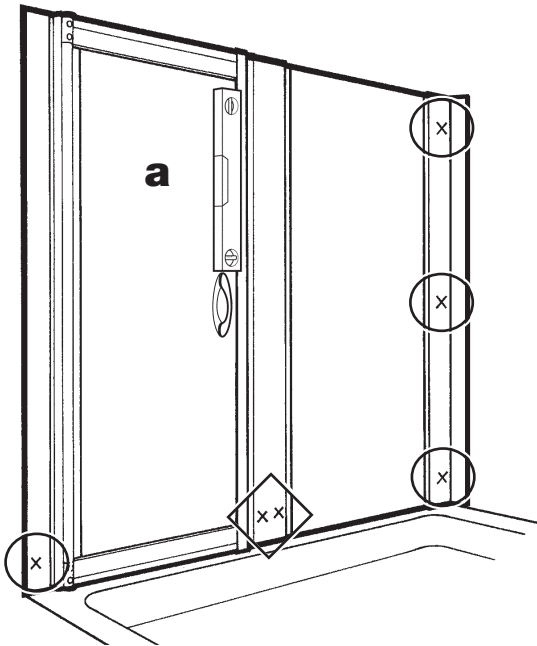
- 1000 Inline panel with 700 door = 845 - 945mm
- 1000 Inline panel with 760 door = 905 - 1005mm
- 1000 Inline panel with 800 door = 945 - 1045mm
- 1000 Inline panel with 900 door = 1045 - 1145mm

- 1200 Inline panel with 700 door = 1045 - 1145mm
- 1200 Inline panel with 760 door = 1105 - 1205mm
- 1200 Inline panel with 800 door = 1145 - 1245mm
- 1200 Inline panel with 900 door = 1245 - 1345mm

- 1400 Inline panel with 700 door = 1245 - 1345mm
- 1400 Inline panel with 760 door = 1305 - 1405mm
- 1400 Inline panel with 800 door = 1345 - 1445mm
- 1400 Inline panel with 900 door = 1445 - 1545mm

**2**

**IMPORTANT:** You must ensure that your door is square in its frame and opens and closes correctly when you fit it in the inline panel. This should be checked before each set of fixing holes are drilled (see door instructions).

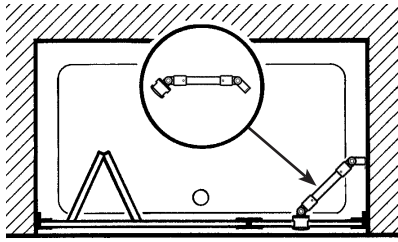


**a:** Check that the enclosure is perfectly vertical and sits evenly on the tray. Drill inside using a 3mm drill bit in the positions shown. Fix using 10mm screws. **IMPORTANT:** Screw caps are ONLY used on the 'inline joint post' (shown in the diamond shaped boxes).

**b:** Check that the enclosure is vertical, drill the remaining holes shown and fix using 10mm screws. **IMPORTANT:** Screw caps are ONLY used on the 'inline joint post' (shown in the diamond shaped boxes).

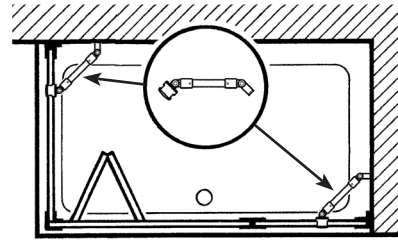
See door instructions for door adjustment and fitting the wall channel cover strips.

## INLINE ONLY



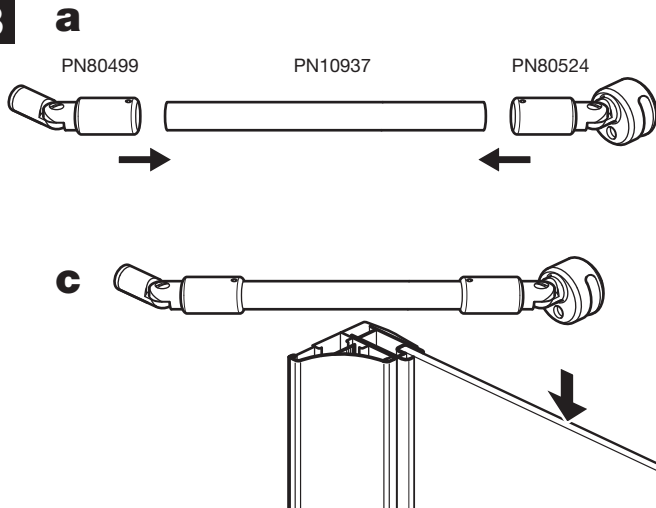
Only fit the wall bracket in the position shown (plan view of the enclosure).

## INLINE WITH SIDE PANEL

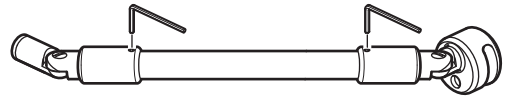


Only fit the wall bracket/s in the position/s shown (plan view of the enclosure).

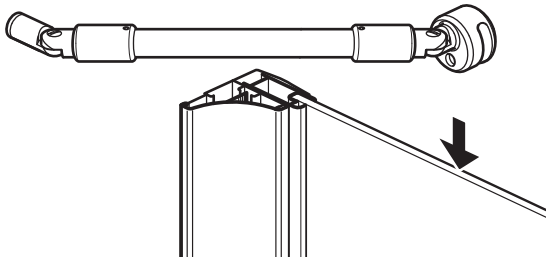
### 3



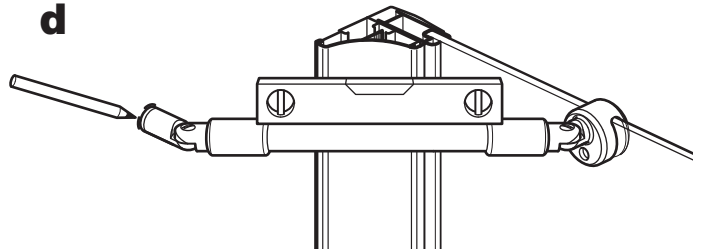
### b



### c



### d



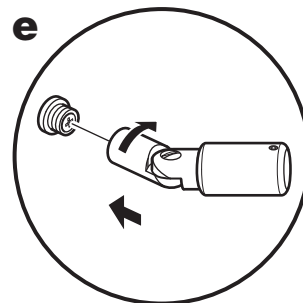
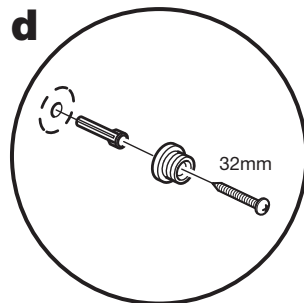
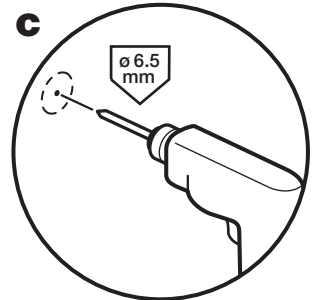
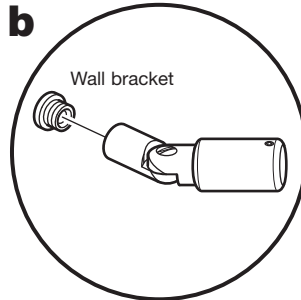
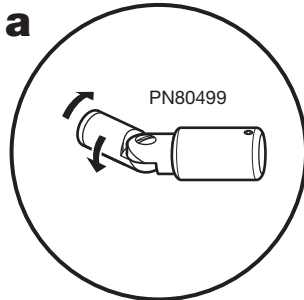
**a:** Insert both 'pivot brackets' (PN80499 & PN80524) onto the strut tube (PN10937). **Note:** The strut tube may need trimming to length to suit your requirements.

**b:** Tighten both 'pivot bracket' grub screws onto the strut tube. **IMPORTANT:** Ensure the pivot brackets 'pivot' horizontally.

**c:** Position the strut assembly onto the panel and against the wall.

**d:** Ensure the strut is level and mark the position of the wall pivot onto the wall. Remove the strut from the panel.

### 4



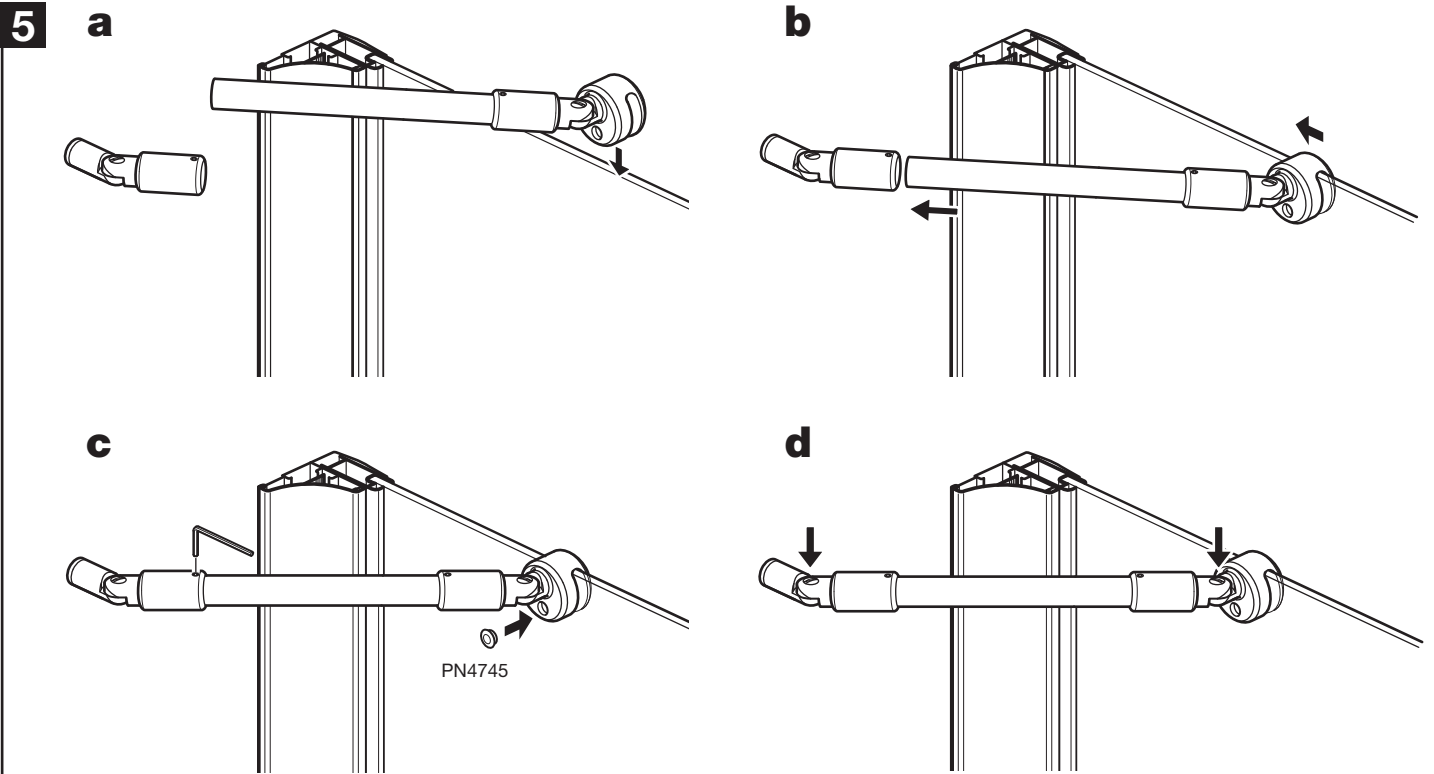
**a:** Remove the wall pivot from the strut.

**b:** Unscrew and remove the wall bracket from the end of the wall pivot.

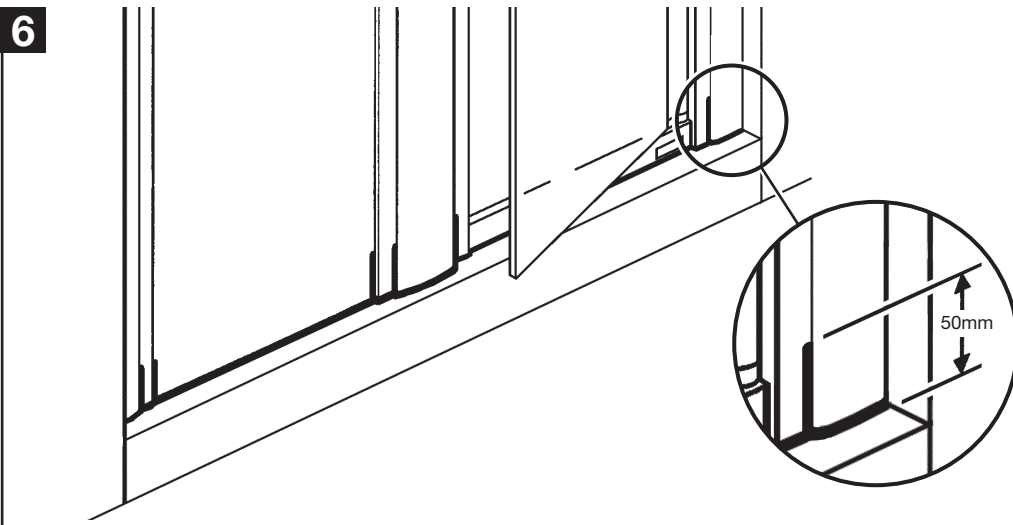
**c:** Drill a 6.5mm hole 30mm deep in the middle of the position marked on the wall.

**d:** Push fit a wall plug and attach the wall bracket to the wall using a 32mm screw.

**e:** Screw the wall pivot onto the wall bracket. **IMPORTANT:** The wall pivot **MUST** pivot horizontally, if it does not, loosen and slightly rotate the wall bracket refit the wall pivot and check again.



- a:** Position the strut/panel pivot onto the panel.
- b:** Slide the panel pivot along the panel and fully insert into the wall pivot.
- c:** Tighten the wall pivot grub screw onto the strut. Tighten the panel pivot grub screw onto the panel using a flatblade screwdriver and push fit the cover cap (PN4745).
- d:** Tighten the pivot screws using a flatblade screwdriver.



**From the outside only,** apply sealant to the bottom of the enclosure and 50mm up the wall channels and inline joint post as shown.

### **Recycling**

**Packaging:-** The cardboard and polythene parts of this packaging can be recycled.

**End of life:-** This product contains materials such as aluminium and glass which can be recycled.

Please contact your local authority to find your nearest recycling centre.

**IMPORTANT:** You must not use the shower for 24 hours after installation of the enclosure.

**DO NOT** use bleach, scouring powders, solvents or other aggressive cleaning agents. To clean, use warm soapy water and a clean cloth and rinse off.

**Please note: There has been a glass coating applied to this product, use a squeegee to remove water and debris.**

Periodically check all fixings and tighten if necessary.

### **CORAM SHOWERS LTD**

Stanmore Industrial Estate, Bridgnorth, Shropshire WV15 5HP, UK • Tel: 01746 766466 • Fax: 01746 764140 • [www.coram.co.uk](http://www.coram.co.uk)