

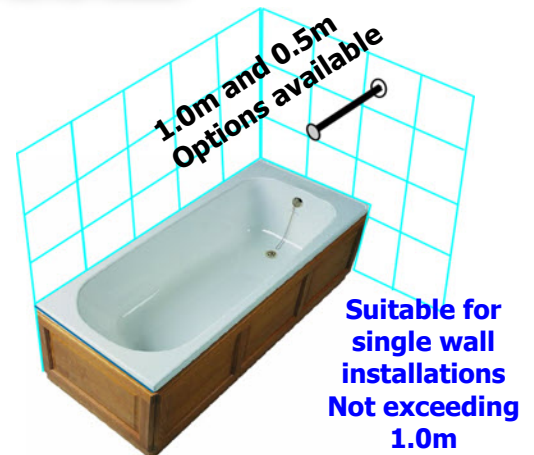
# SHOWER RAIL

Available from  
[www.byretech.com](http://www.byretech.com)

## Mini Straight Rail Installation

### Tools required to complete the installation.

- Electric Drill with 8mm masonry drill bit 
- Suitable Hex Screwdriver 
- Masking tape to ensure tiles are not damaged when drilling 
- Stainless Steel Hacksaw Blade from Byretech.com 
- Spirit level to get rail level 
- Tape measure 



**Part No. SRSS39 - 0.5m Shower Rail**

**Part No. SRSS40 - 1.0m Shower Rail**

## Installation instructions

- Measure up from the **inside base of the bath approximately 190 cm** and make a horizontal line where you would like bracket "a" to be positioned

**(This is so the rail and curtain fit perfectly as shower curtains are normally 180cm drop from shower rail)**

- Fix masking tape to the area where you will fix the wall bracket and carefully mark, drill and fix the bracket with the screws and rawplugs supplied.

**Note. You will need an 8mm masonry drill bit to go through your tiles**

- Decide on the length of your rail and cut it to size using the stainless steel hacksaw blade ( Optional Part )

- Note the end stop is already glued into place.

- Loosen the grub screws on the wall bracket and slide in the rail.

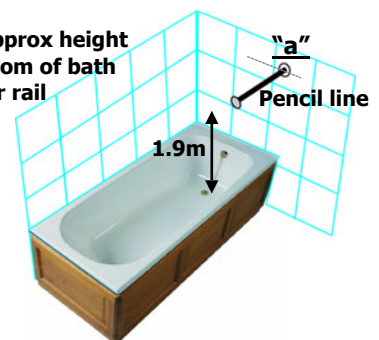
- Tighten the grub screws to secure the rail.

- Your shower rail installation is now complete.

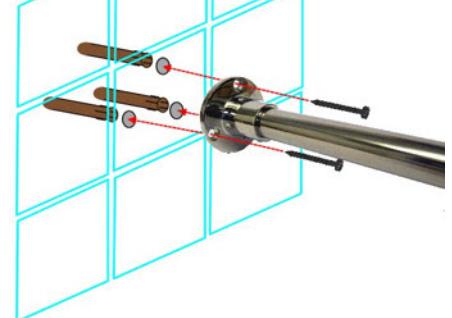
- Byretech offer 120cm wide curtains from stock for 1.0m rails and for narrower applications please go to our made to measure shower curtain section on [www.byretech.com](http://www.byretech.com)

- Please note this rail as it is supported at one end only will only support a shower curtain. It will not hold the weight of heavier items and may become detached from the wall.

- 1.9m approx height from bottom of bath to shower rail



- Tape up area with masking tape
- Mark & drill holes using an 8mm masonry drill
- Add rawplugs & fix bracket to tiled wall



- Ensure rod is level and straight



**Byretech Ltd**

The Bathroom Water Damage Prevention specialists

Byretech Ltd

Unit 51 Padgets Lane, South Moons Moat,  
Redditch, Worcestershire B98 0RD UK.

Phone: +44 (0) 1527 522 522 Fax: +44 (0) 1527 522 111  
E-mail: [info@byretech.com](mailto:info@byretech.com) Web: [www.byretech.com](http://www.byretech.com)