

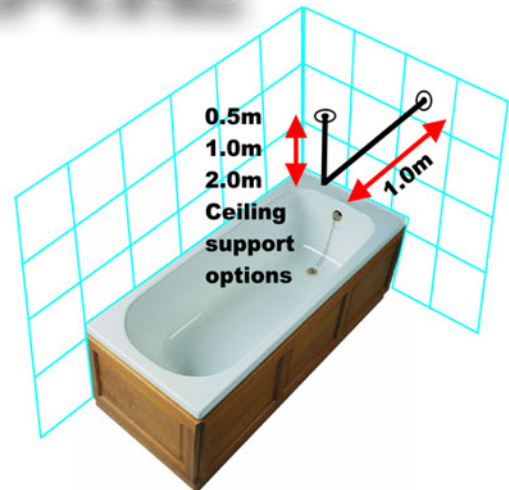
SHOWER RAIL

Available from
www.byretech.com

L Shape Rail Installation.

Tools required to complete the installation.

- Electric Drill with 8mm masonry drill bit 
- Suitable Hex Screwdriver 
- Masking tape to ensure tiles are not damaged when drilling 
- Stainless Steel Pipe cutter or suitable hacksaw 
- Spirit level to get rail level 
- Tape measure 



Installation instructions

- Measure up from the **inside base of the bath approximately 190 cm** and make a horizontal line where you would like bracket "a" to be positioned

(This is so the rail and new curtain fit perfectly as shower curtains are normally 180cm drop from shower rail)

- Decide on the desired length and height of your shower rail and using a pipe cutter or hacksaw cut the stainless steel rail to size.

(Tip - Rails should be slightly shorter than the length of your bath)

- Assemble the corner piece and tighten the two grub screws with the allen key provided.



- Hold the L shaped rail up against the walls and ceiling as per Diagram 1 and mark the position of the point where the long tube touches the wall on your newly marked horizontal line with a pencil "a".

Note. You will need an 8mm masonry drill bit to go through your tiles

- Fix masking tape to the area where you will fix the first bracket and carefully mark and drill the three holes, then add the rawplugs and fix bracket to wall.

- Insert assembled rail into the wall bracket "a" then check that the rail is level using a spirit level and mark position of the second bracket "b" on ceiling.

- Carefully mask the ceiling off, drill the holes and add the rawplugs (Note. You may need extra bracing in your ceiling space to screw into)

- Slide remaining bracket onto the shorter rail and then push the opposite end of the rail into bracket "a". Slide second bracket to ceiling and fix "b".

- Tighten the allen screws on both brackets with the allen key provided to finish your installation.

- 1.9m approx height from bottom of bath to shower rail

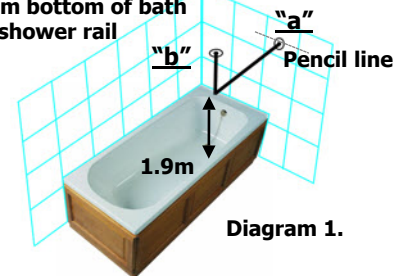
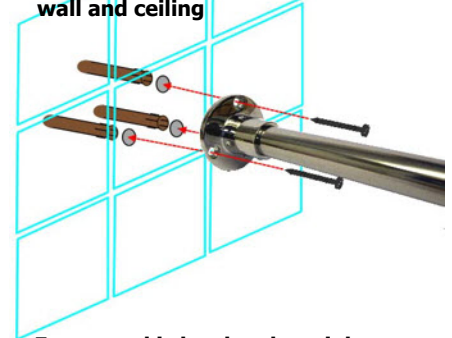
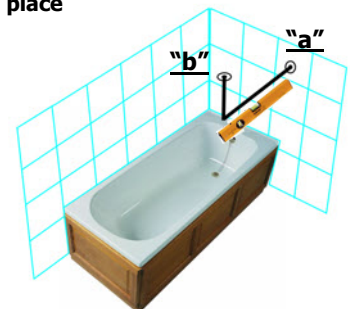


Diagram 1.

- Tape up area with masking tape
- Mark & drill holes using an 8mm masonry drill
- Add rawplugs & fix bracket to tiled wall and ceiling



- Ensure rod is level and straight
- Mark new bracket and repeat above procedure then fix rail in place



Byretech Ltd
The Bathroom Water Damage Prevention specialists

Byretech Ltd
Unit 51 Padgets Lane, South Moons Moat,
Redditch, Worcestershire B98 0RD UK.
Phone: +44 (0) 1527 522 522 Fax: +44 (0) 1527 522 111
E-mail: info@byretech.com Web: www.byretech.com