

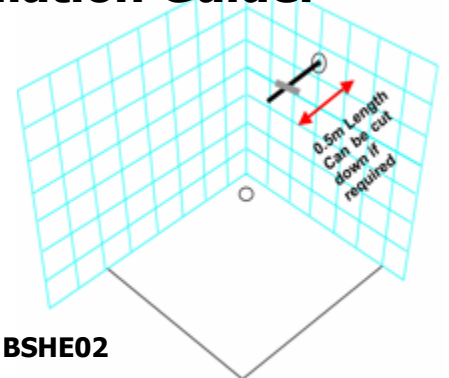
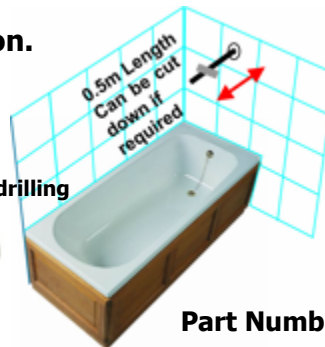
SHOWER RAIL

Available from
www.byretech.com

Fixed Shower Head Extension Arm Installation Guide.

Tools required to complete the installation.

- Electric Drill with **8mm** masonry drill bit 
- Suitable Hex Screwdriver 
- Masking tape to ensure tiles are not damaged when drilling 
- Spirit level to get rail level 
- Tape measure 

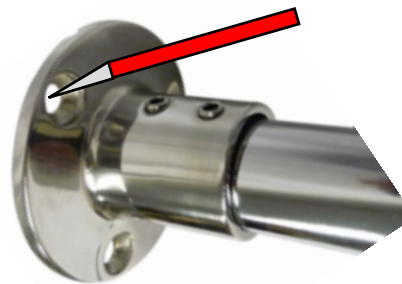


Part Number: **BSHE02**

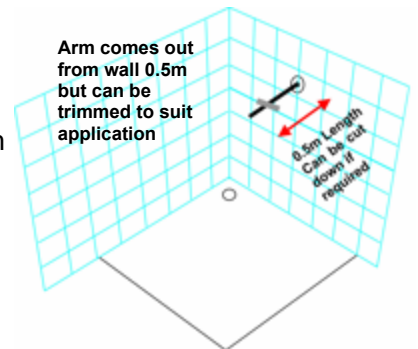
Installation instructions

Due to its design, you will need to assemble the unit to get a perfect fit with your own bath or shower. Please read the fitting instructions carefully.

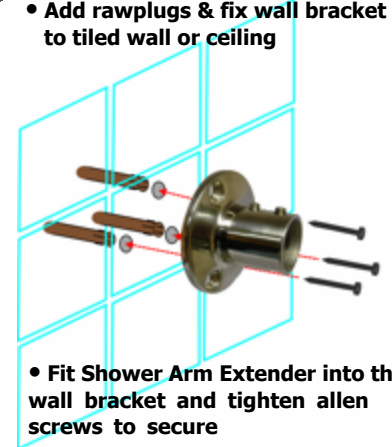
- Unpack the Shower Arm Extender and wall bracket.
- Decide on the location of the arm on your wall or ceiling.
- Fix masking tape to the area where you will fix the bracket and with a pencil, mark the holes as per Picture opposite so you know where to drill - Allen screws facing upwards.
- Drill and rawplug using an 8mm masonry drill with fixings provided. You may want to use a smaller drill to create a pilot hole to start with.
- Secure the wall brackets to the wall or ceiling with the screws provided.
- Now unscrew the allen screws on the bracket and offer the shower Arm Extender to the bracket.
- Select the desired mounting position and tighten up the allen screws with the allen key provided.
- Should you decide the Shower Arm Extender is too long, simply remove the extender from the wall or ceiling. Now remove the end cap, cut the rail to length and replace the end cap again.



Arm comes out from wall 0.5m but can be trimmed to suit application



- Tape up area with masking tape
- Mark & drill holes using an 8mm masonry drill
- Add rawplugs & fix wall bracket to tiled wall or ceiling



- Fit Shower Arm Extender into the wall bracket and tighten allen screws to secure



Byretech Ltd
The Bathroom Water Damage Prevention specialists

Byretech Ltd
Unit 51 Padgets Lane, South Moons Moat,
Redditch, Worcestershire B98 0RD UK.
Phone: +44 (0) 1527 522 522 Fax: +44 (0) 1527 522 111
E-mail: info@byretech.com Web: www.byretech.com