

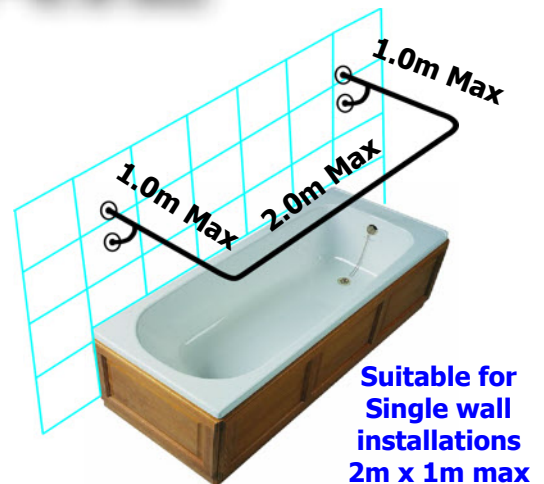
SHOWER RAIL

Available from
www.byretech.com

C Shape Rail Installation.

Tools required to complete the installation.

- Electric Drill with 8mm masonry drill bit 
- Suitable Hex Screwdriver 
- Masking tape to ensure tiles are not damaged when drilling 
- Stainless Steel hacksaw & blade 
- Spirit level to get rail level 
- Tape measure 



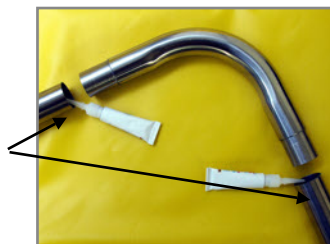
Installation instructions

- Measure up from the **inside base of the bath approximately 190 cm** and make a horizontal line where you would like bracket **"a"** and **"b"** are to be positioned. I.e. The desired height of the rail.

(This is so the rail and new curtain fit perfectly, as shower curtains are normally 180cm drop from shower rail) - Byretech can supply these to you also - see our website.

- Decide on the length and width of your shower rail and using a stainless steel hacksaw cut the stainless steel rails to size. (**Tip - Rails should be slightly shorter than the length and width of your bath**)

- Clean the inside of the tubes and also the elbow piece with a **clean cloth**. **Note - Take Care there may be sharp metal exposed at the ends**. You may need to file these to take off the cutting burrs. Take the metal glue and add a moderate amount to the **inside of each tube**. Push the tube ends over the elbow and leave to set for 20 minutes. Leave on a flat surface to for the glue to dry.



- Hold the "C" shaped rail up against the wall as per Diagram 1 and mark the position of the point where the cut tubes touch the wall on your newly marked horizontal line with a pencil **"a"** & **"b"**.

Note. You will need an 8mm masonry drill bit to go through your wall tiles.

- Fix masking tape to the area where you will fix the brackets **"a"** & **"b"**. Carefully mark and drill the three holes, then add the rawplugs and fix brackets **"a"** & **"b"** to the wall.

- Slide onto the C rail the "T" pieces and insert remaining elbows into "T" pieces. (The cut off elbow support bracket goes into the T piece on the rail shower rail)

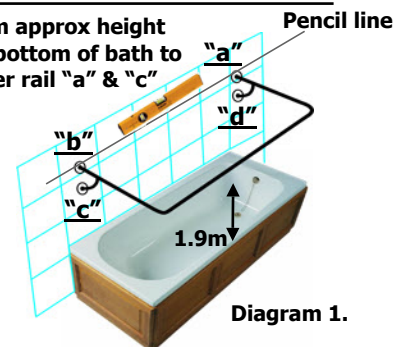
- Tighten the grub screw on "T" piece to hold elbow in place. Leave the two grub screws on the rail loose. Fit rail into brackets **"a"** & **"b"** and mark position of lower brackets **"c"** & **"d"**.

- Mask, drill the holes and add the rawplugs at position **"c"** & **"d"**. Fix lower wall brackets.

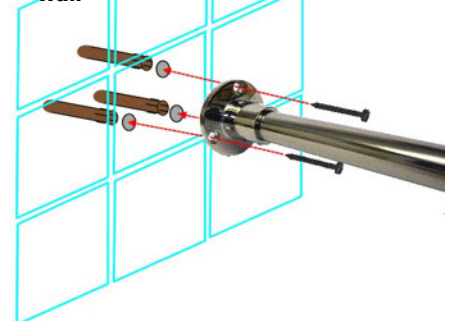
- Reassemble the rail onto the wall and whilst supporting the rail tighten all the allen screws up to secure the rail in place with the allen key provided. Check that the rail is level

- You have now finished your installation.

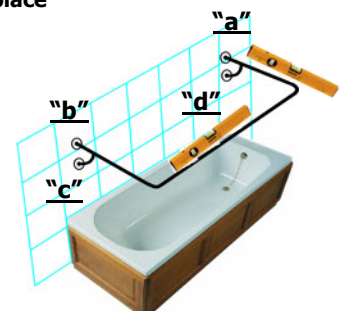
- 1.9m approx height from bottom of bath to shower rail "a" & "c"



- Tape up area with masking tape
- Mark & drill holes using an 8mm masonry drill
- Add rawplugs & fix bracket to tiled wall



- Ensure rod is level and straight
- Mark new bracket and repeat above procedure then fix rail in place



Byretech Ltd
The Bathroom Water Damage Prevention specialists

Byretech Ltd
Unit 51 Padgets Lane, South Moons Moat,
Redditch, Worcestershire B98 0RD UK.
Phone: +44 (0) 1527 522 522 Fax: +44 (0) 1527 522 111
E-mail: info@byretech.com Web: www.byretech.com