

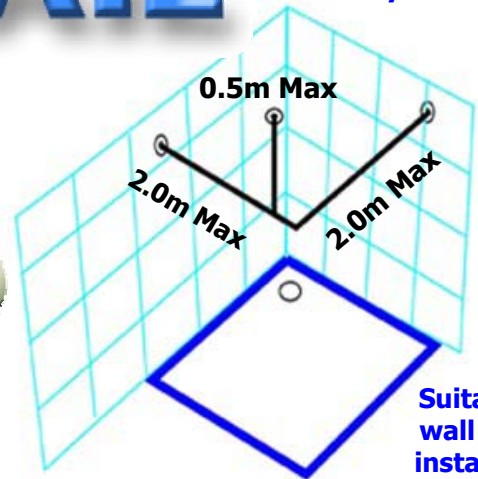
# SHOWER RAIL

Available from  
[www.byretech.com](http://www.byretech.com)

## 2.0m L Shape Rail Installation.

### Tools required to complete the installation.

- Electric Drill with 8mm masonry drill bit
- Suitable Hex Screwdriver
- Masking tape to ensure tiles are not damaged when drilling
- Stainless Steel Pipe cutter or suitable hacksaw
- Spirit level to get rail level
- Tape measure



## Installation instructions

- Measure up from the **inside base of the bath approximately 190 cm** and make a horizontal line where you would like bracket "a" to be positioned

(This is so the rail and new curtain fit perfectly as shower curtains are normally 180cm drop from shower rail)

- Decide on the desired length and width of your shower rail and using a pipe cutter or hacksaw cut the stainless steel rail to size.

( Tip - Rails should be slightly shorter than the length and width of your bath )

- Clean the inside of the tubes and also the elbow piece with a **clean cloth**. **Note - Take Care there may be sharp metal exposed at the ends.** Take the metal glue provided and add a moderate amount to the inside of each tube. Push the tube ends over the elbow and leave to set for 10 minutes.

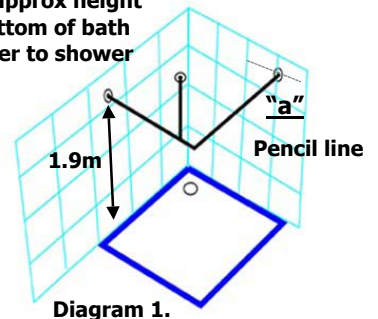


- Hold the L shaped rail up against the two walls as per Diagram 1 and mark the position of the point where the long tube touches the wall on your newly marked horizontal line with a pencil "a".

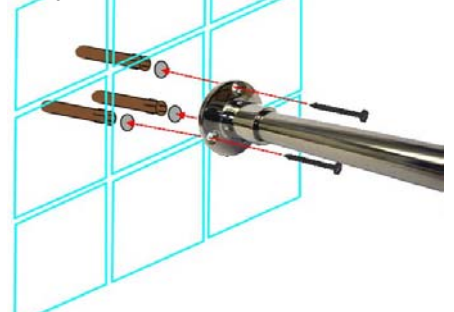
**Note. You will need an 8mm masonry drill bit to go through your tiles**

- Fix masking tape to the area where you will fix the first bracket and carefully mark and drill the three holes, then add the rawplugs and fix bracket to wall.
- Insert assembled rail into the wall bracket "a" then check that the rail is level using a spirit level and mark position of the second bracket "b".
- Carefully mask the tile off, drill the holes and add the rawplugs.
- Slide remaining bracket onto the shorter rail and then push the opposite end of the rail into bracket "a". Slide second bracket to wall and fix "b". Select the position of the ceiling support and slide T piece onto rail - Do not tighten T Yet.
- Measure mark and fix the ceiling bracket to the horizontal rail - Tighten all screws / grub screws and the installation is complete.

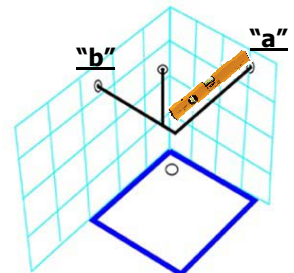
- 1.9m approx height from bottom of bath or shower to shower rail



- Tape up area with masking tape
- Mark & drill holes using an 8mm masonry drill
- Add rawplugs & fix bracket to tiled wall



- Ensure rod is level and straight
- Mark new bracket and repeat above procedure then fix rail in place



**Byretech Ltd**  
The Bathroom Water Damage Prevention specialists

Byretech Ltd  
Unit 51 Padgets Lane, South Moons Moat,  
Redditch, Worcestershire B98 0RD UK.  
Phone: +44 (0) 1527 522 522 Fax: +44 (0) 1527 522 111  
E-mail: [info@byretech.com](mailto:info@byretech.com) Web: [www.byretech.com](http://www.byretech.com)