

WATERGUARD CORATECH® SHOWERTRAY

800 / 900 & OFFSET QUADRANT SHOWERTRAY

Please read these instructions carefully and keep for future reference. Incorrect fitting will invalidate the guarantee.

SAFETY



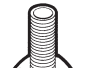



- Make sure there are no hidden pipes or cables in the walls where you intend to drill.
- Wear safety goggles, shoes and appropriate clothing.

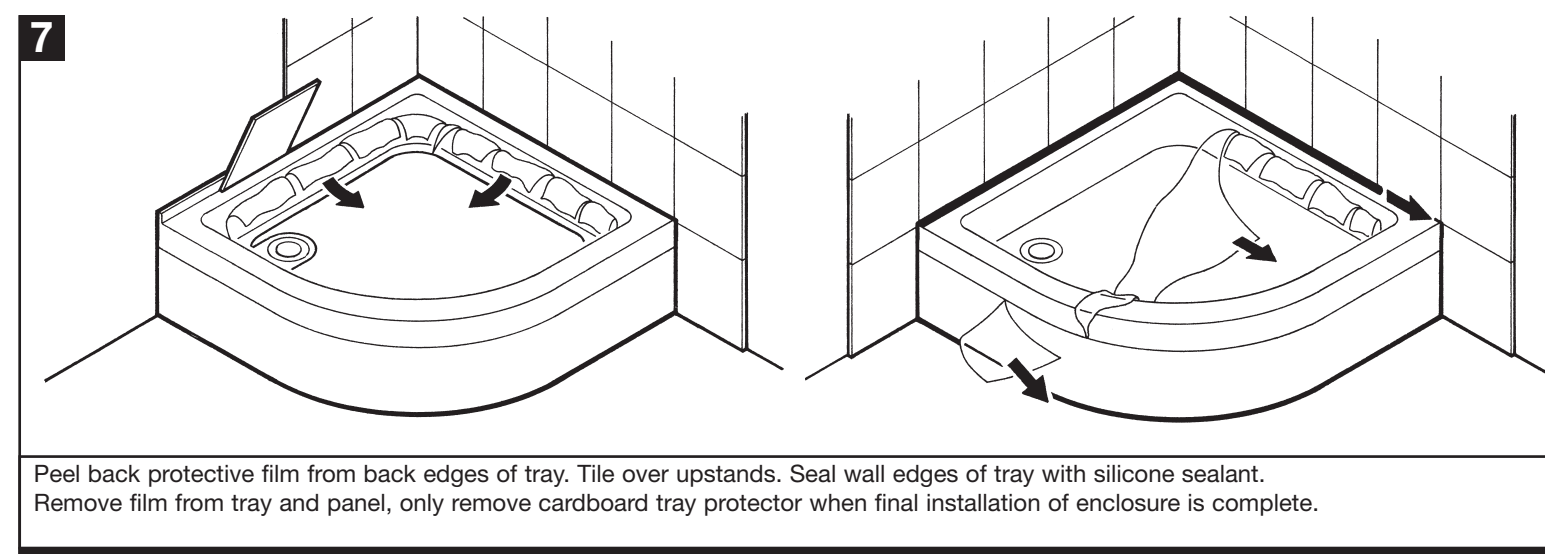
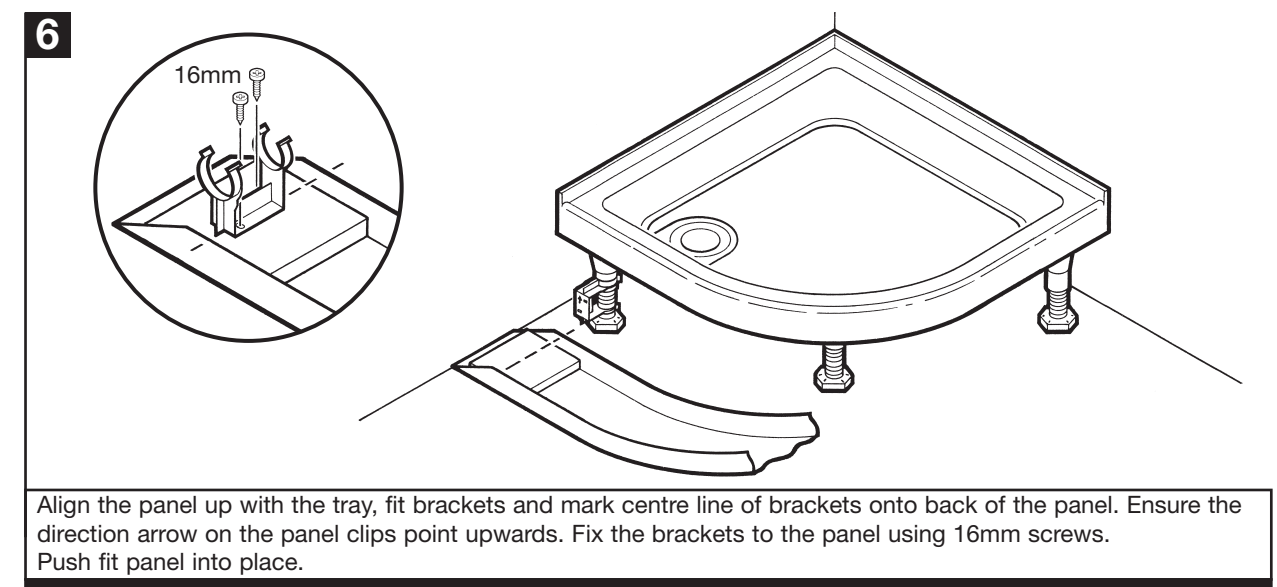
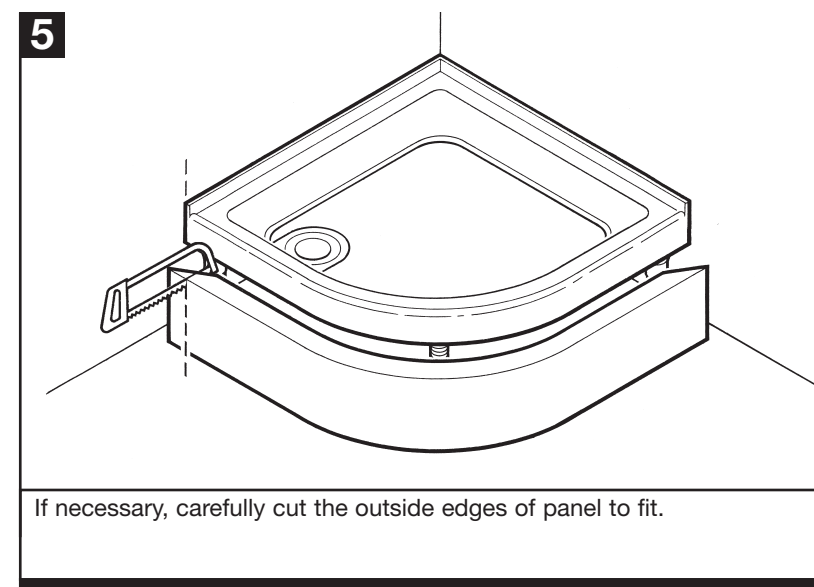
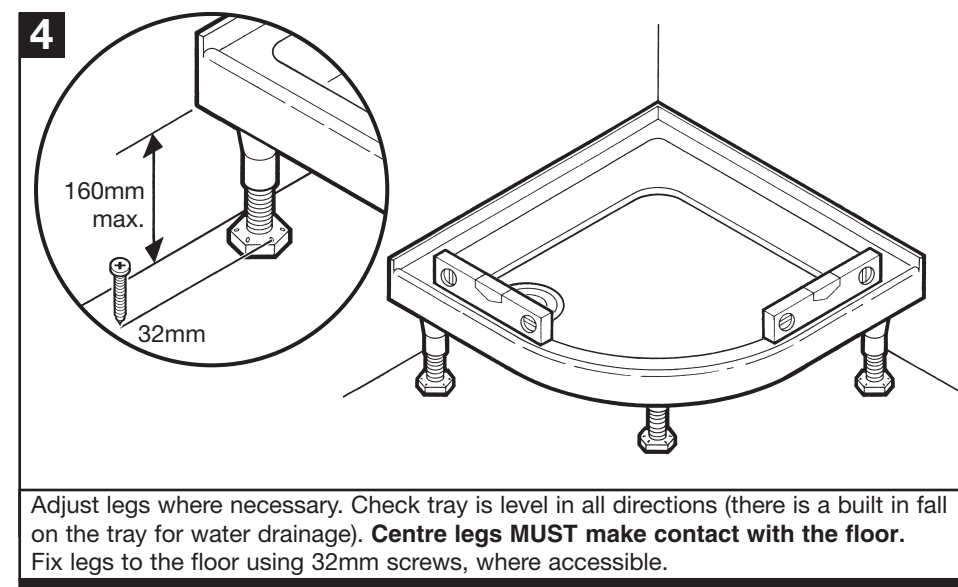
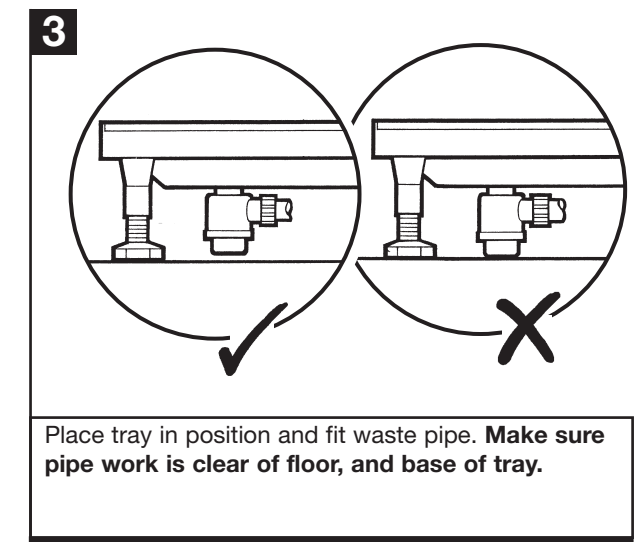
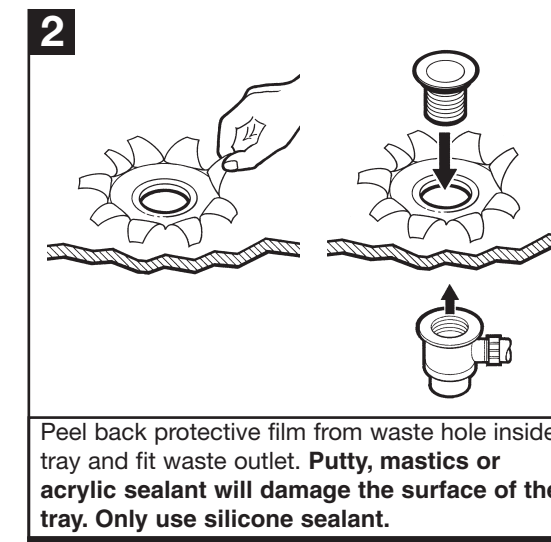
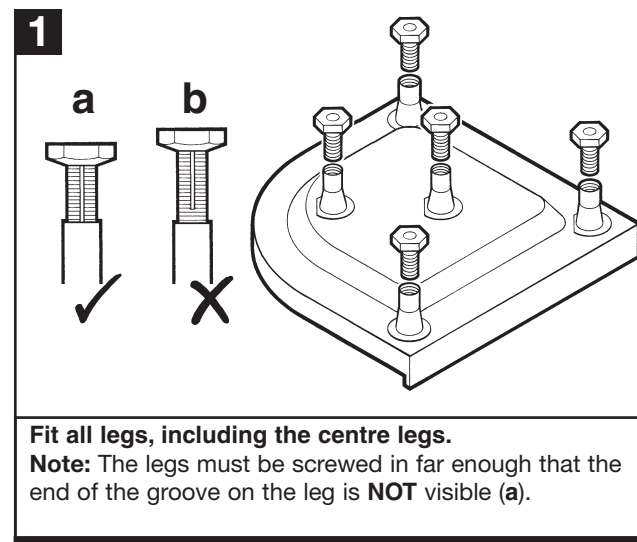
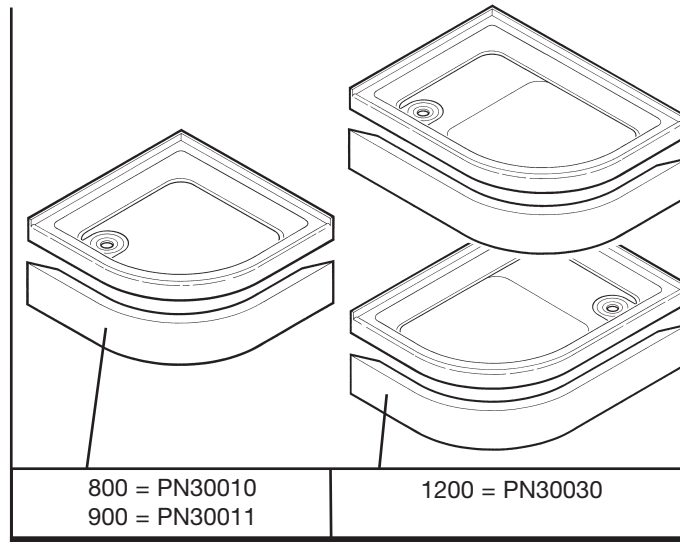
EQUIPMENT NEEDED

Crosshead Screwdriver, Spirit Level, Pencil, Fine Tooth Saw, Ruler, Masking Tape, Silicone Sealant, Methylated Spirit.

Check contents of pack before installation.

If there is anything missing, contact our Customer Careline for assistance: +44 (0) 1746 713410

	PN60138	8	
	PN60139	6	
	PN50193	5	800/900 Quadrant
	PN50196	8	Offset Quadrant
	PN50196	2	
	PN60171	1	



IMPORTANT

You must not use or work on the showertray for 24 hours after installation.

DO NOT use bleach, scouring powders, solvents or other aggressive cleaning agents. To clean, use warm soapy water and a clean cloth and rinse off.

NOTE: The tray should be inspected six months after installation, check for any floor movement. If necessary adjust all the legs to ensure they are resting on the floor.

CUSTOMER CARELINE +44 (0) 1746 713410

A PRODUCT OF THE CORAM GROUP OF COMPANIES

Coram Showers Ltd. Stanmore Industrial Estate, Bridgnorth, Shropshire WV15 5HP, UK

Tel: +44 (0) 1746 766466 Fax: +44 (0) 1746 764140

www.coram.co.uk