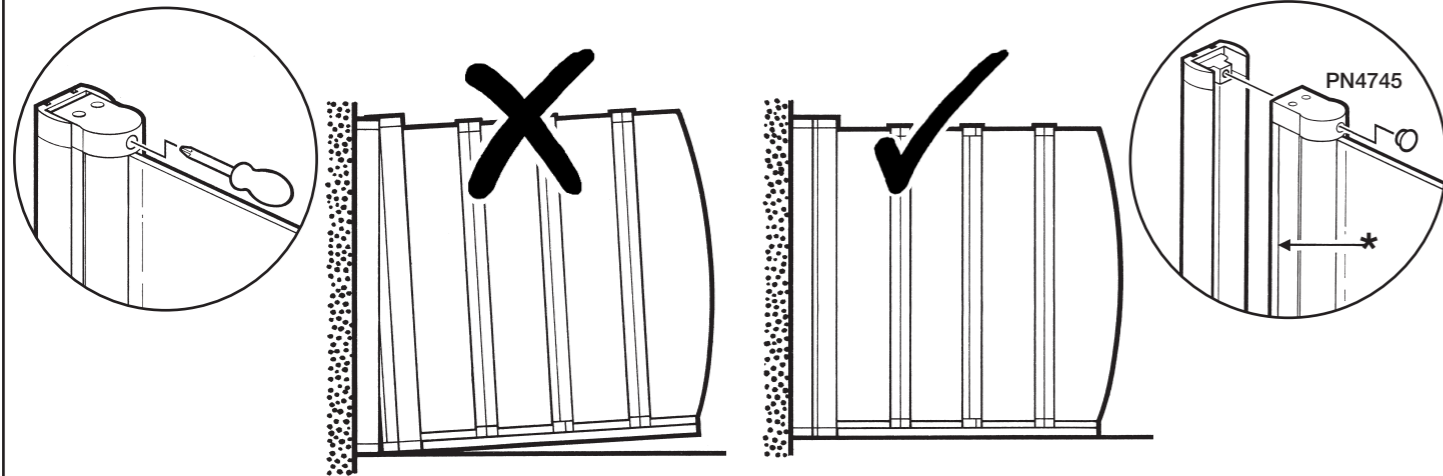
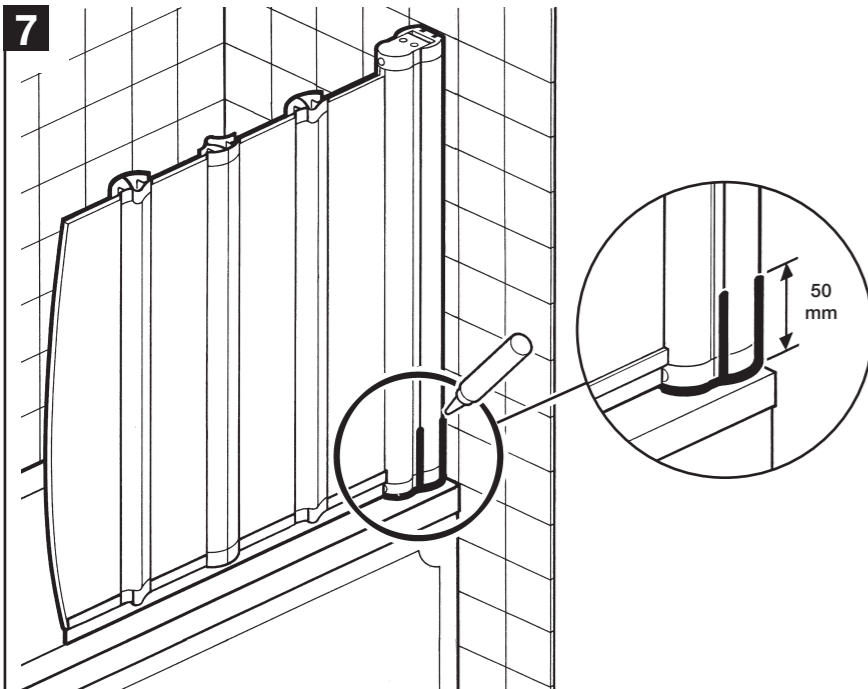


6



Adjust the screen by tightening or loosening the screws (top and bottom) so that the bottom seal gently brushes the bath rim evenly along its length. **IF THE SEAL IS TOO TIGHT ON THE BATH THE SCREEN MAY LEAK.** The screen **MUST NOT** come out of the wall channel beyond the marked line (*). Push fit both screw caps in their **TOP** and **BOTTOM** positions.

7



Apply silicone sealant to the outside of the screen where shown.
DO NOT apply silicone sealant to the inside face of the screen.
When folding the screen after use, fold it into the bath to prevent drips.

IMPORTANT

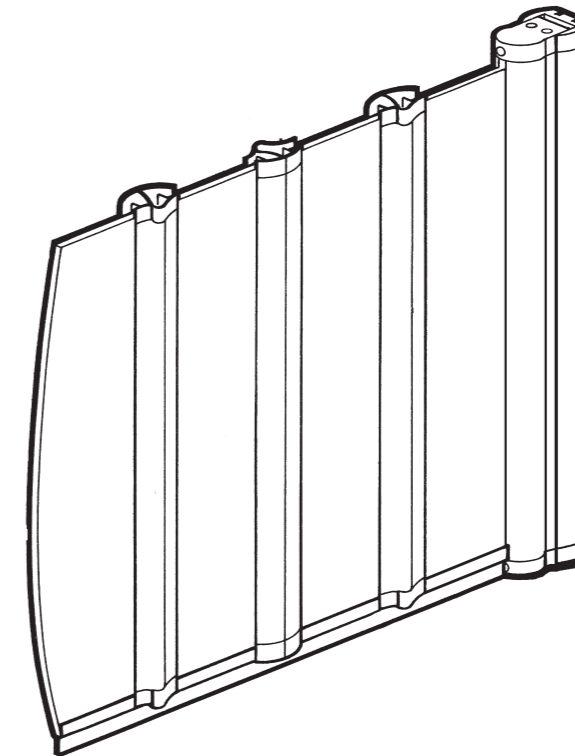
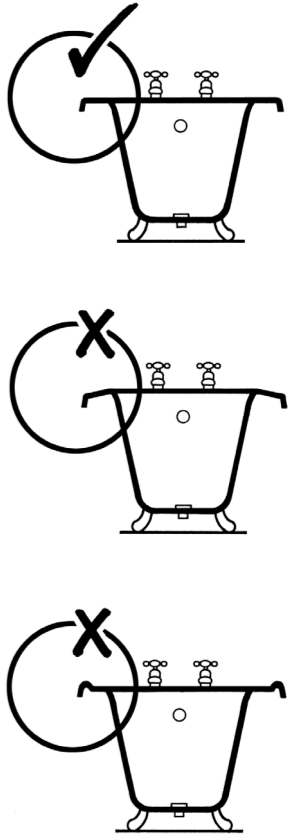
You must not use the bath or shower for 24 hours after installation of the screen. Take care not to trap fingers in the hinges.

DO NOT use bleach, scouring powders, solvents or other aggressive cleaning agents. To clean, use warm soapy water and a clean cloth and rinse off.

DO NOT apply weight or pressure to the bath screen.

DO NOT swing the bath screen violently.

MULTI-PANEL FOLDING BATHSCREEN

**IMPORTANT****Equipment needed:**

Drill, 6.5mm masonry bit, 4.5mm metal bit (general), Crosshead Screwdriver, Spirit level, Pencil, Silicone Sealant, Tape Measure, Masking Tape.

Please read these instructions carefully and keep for future reference. Incorrect fitting will invalidate the guarantee.

SAFETY

- Handle glass with great care. Although the glass is very tough, sharp impacts can damage the screen.
- Make sure there are no hidden pipes or cables hidden in the wall where you intend to drill.
- Wear safety goggles, shoes and appropriate clothing.
- If you have long hair, tie it back out of the way.

Note: The screws and wall plugs supplied are for masonry walls. For lightweight walls i.e. stud partition, plasterboard etc, use the correct fixings. Screens must only be fitted to waterproof walls - tiled surface.

BEFORE INSTALLATION

- Check the bath is perfectly level and does not sag or bow when you stand or sit in it.
- Check that the bath has a flat top edge with no protruding handles, which could interfere with the movement of the bath screen.
- Areas requiring silicone sealant should be cleaned with methylated spirit first.

IMPORTANT: Bath screens should not be fitted to drop-fronted baths or baths with lipped fronts (see diagrams opposite).

CUSTOMER CARELINE +44 (0) 1746 713410

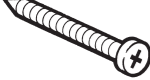


This product is protected by UK Patent App. No. 0403656.2

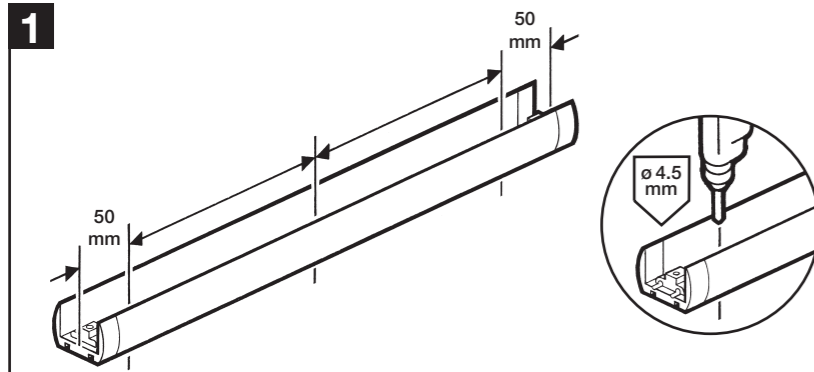
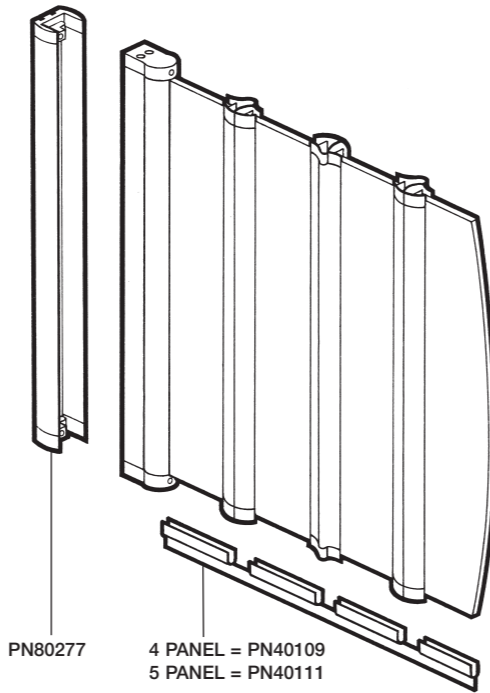
A PRODUCT OF THE CORAM GROUP OF COMPANIES

Coram Showers Ltd. Stanmore Industrial Estate, Bridgnorth, Shropshire WV15 5HP, UK
www.coramshowers.co.uk

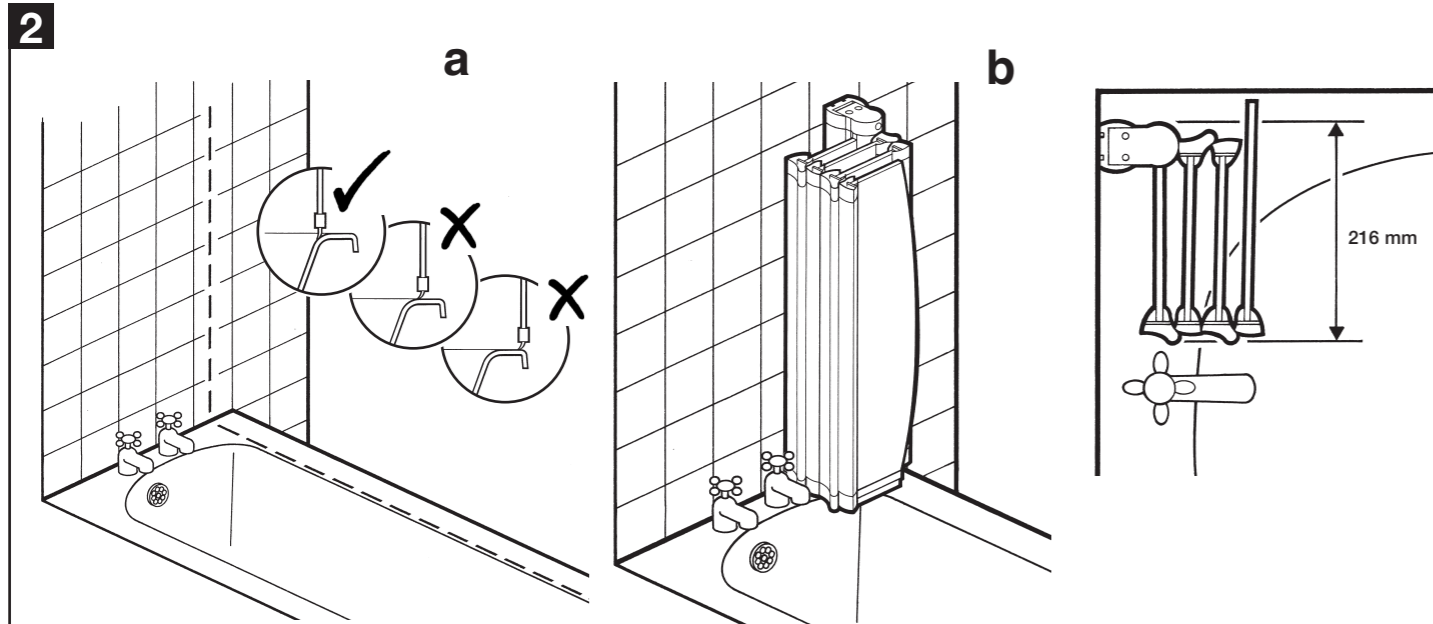
Check contents of pack before installation. If there is anything missing, contact our Customer Careline for assistance.

CUSTOMER CARELINE: +44 (0) 1746 713410

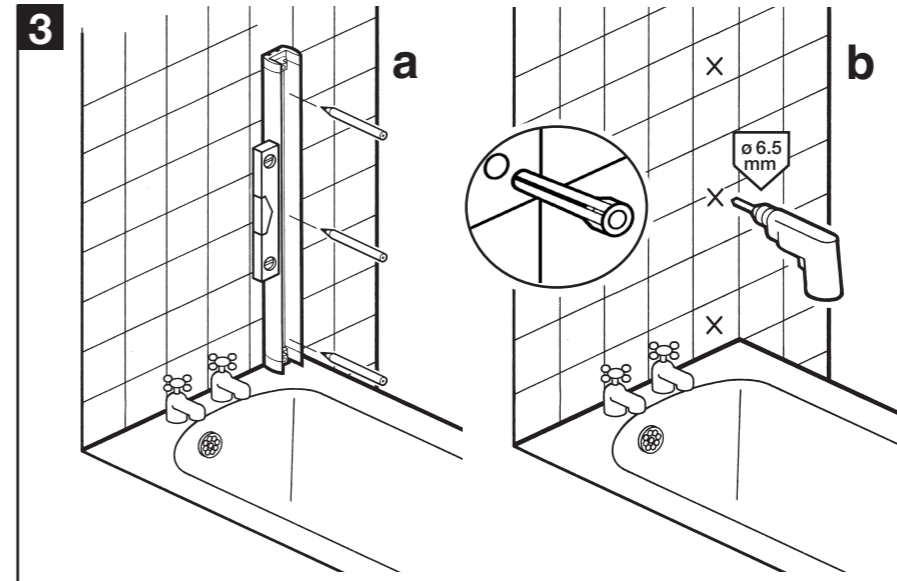
	PN8203	3
	PN3230	3
	PN4745	2



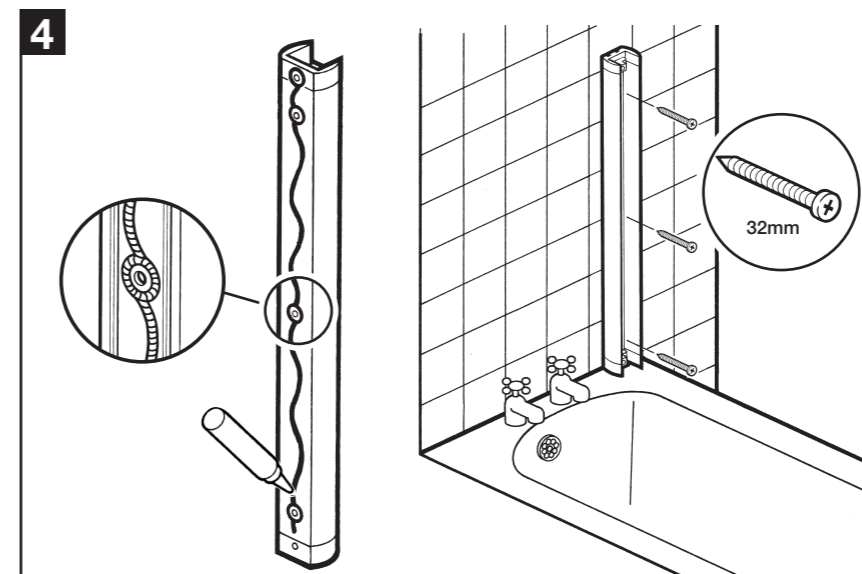
Drill three holes in the wall channel at points shown using a 4.5mm drill bit, through the grooved centre line.



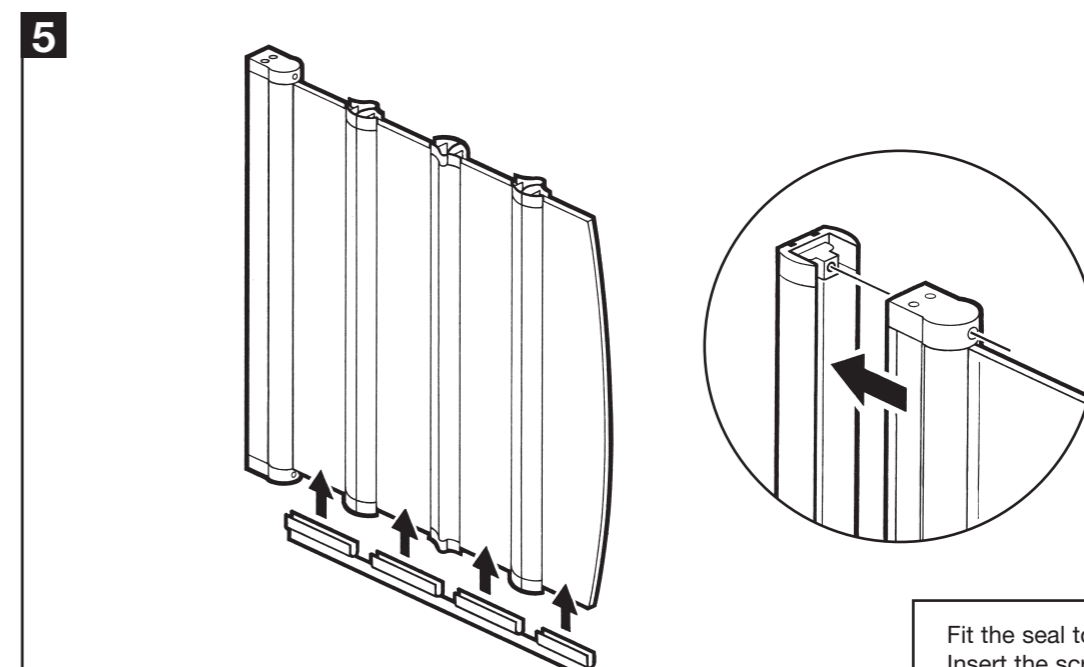
Position the screen so that it rests along the inner edge of the bath (a). It is advisable that the screen is fitted so that it will fold into the bath (b) Check the measurement above (4 and 5 panel version) to ensure you have sufficient space



Position the wall channel, ensure it is perfectly vertical and mark off the drill hole positions against the wall (a). Place masking tape against the wall before you mark hole positions. Drill 6.5mm holes to a depth of 30mm. Insert wall plugs (b).



Apply silicone sealant to back of wall channel as shown. Fix wall channel to wall using the 32mm screws.



Fit the seal to the bottom of the screen. Insert the screen into the wall channel, fully tightening the top and bottom screws.