

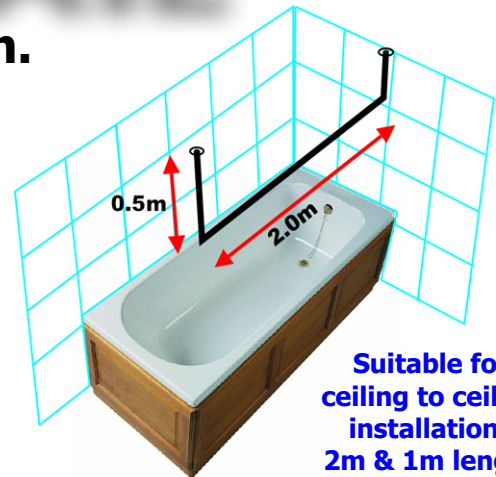
SHOWER RAIL

Available from
www.byretech.com

Ceiling to Ceiling Rail Installation.

Tools required to complete the installation.

- Electric Drill with 8mm masonry drill bit 
- Suitable Hex Screwdriver 
- Masking tape to ensure ceiling is not damaged when drilling 
- Stainless Steel Pipe cutter or suitable hacksaw 
- Spirit level to get rail level 
- Tape measure 



Suitable for
ceiling to ceiling
installations
2m & 1m length

Installation instructions

- Measure up from the **inside base of the bath approximately 190 cm** and make a horizontal line on the tiled wall where you would like the bottom of your rail to sit horizontally. (see fitting video on byretech website)

(This is so the rail and new curtain fit perfectly, as shower curtains are normally 180cm drop from shower rail)

- Now measure from that point to the ceiling and this is the measurement you need for your vertical ceiling stays.

- Using a pipe cutter or Byretech stainless steel hacksaw (recommended), cut the stainless steel rail to the required size.
(Tip - Rails should be slightly shorter than the length of your bath)



- Assemble the rail and corner pieces, then tighten the four grub screws with the allen key provided to make up the rail.

- Hold the Ceiling to Ceiling shaped rail up against the ceiling in the position you want to have it secured. As per Diagram 1, mark the position of where on the ceiling you want it to be located with a pencil, using the screw holes on each bracket.

Note. You will need an 8mm masonry drill bit to drill the holes.

- Fix masking tape to the area where you will fix the brackets and carefully mark and drill the three holes, then add the rawplugs. You can now fix the rail to the ceiling.

- Tighten the allen screws on both brackets with the allen key provided to finish your installation.

- 1.9m approx height from bottom of bath to shower rail

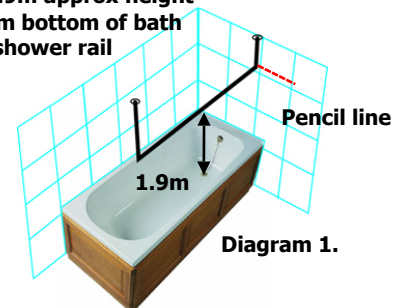
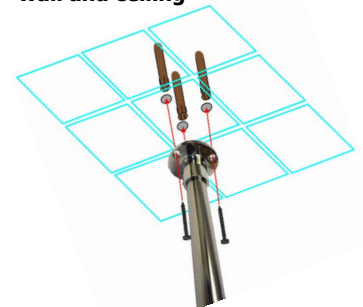


Diagram 1.

- Tape up area with masking tape
- Mark & drill holes using an 8mm masonry drill
- Add rawplugs & fix bracket to tiled wall and ceiling



- Ensure rod is level and straight
- Mark brackets on ceiling, drill, rawplug and fix rail to ceiling.



Byretech Ltd
The Bathroom Water Damage Prevention specialists

Byretech Ltd
Unit 51 Padgets Lane, South Moons Moat,
Redditch, Worcestershire B98 0RD UK.
Phone: +44 (0) 1527 522 522 Fax: +44 (0) 1527 522 111
E-mail: info@byretech.com Web: www.byretech.com